

# Appendix 3. Details of Process Result Messages etc.

## (1) NACCS EDI messages

### 1) Formats of Process Result Output Message and Output Information Message (inquiry result)

To set a maximum of 5 Process Result Codes in the case of an error occurring in a single field, the length shall be fixed at 75 bytes. If no Process Result Codes are to be set, one-byte spaces must be provided instead.

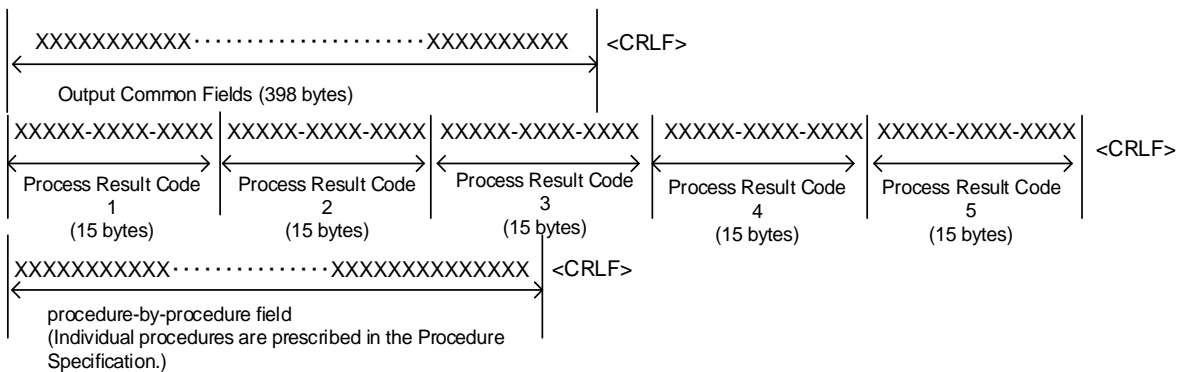
Figure A3.1 shows formats of a Process Result Output Message and an Output Information Message (inquiry result):

Output Common Fields (398 bytes)	CL RF	Process Result Code 1  (15 bytes)	Process Result Code 2  (15 bytes)	Process Result Code 3  (15 bytes)	Process Result Code 4  (15 bytes)	Process Result Code 5  (15 bytes)	CL RF	Procedure -by- procedure field  Field	CL RF
-------------------------------------	----------	---	---	---	---	---	----------	---	----------

Figure A3.1 Formats of Process Result Output Message and Output Information Message (Inquiry Result)

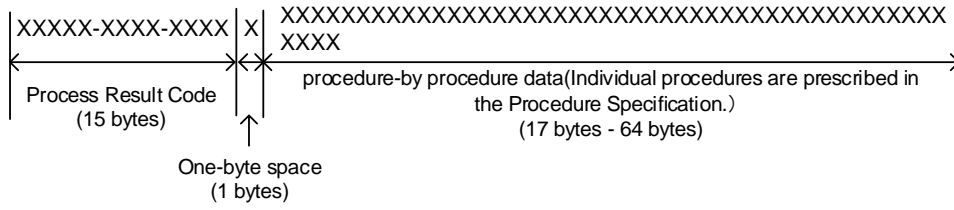
(Note) Details of procedure-by-procedure fields are given in the Procedure Specification.

When viewed in text format in software of a text editor tool, etc., an output message Figure A3.1 will appear as follows:



In the case of a Process Result Output Message or an Output Information Message (inquiry result) generated, the following is to be set in "Subject" of Output Common Fields: Process Result Code + a one-byte space + procedure-by-procedure data.

When viewed in text format in software of a text editor tool, etc., an output message in "Subject" will be as follows. (Only Subject portion is extracted)



(Note)

If warning messages are not set for "Normal Termination," (for details, see Appendix 6.2 Procedure Result Coding System) the following code must be set at the beginning: Procedure Result Code 1=00000-0000-0000.

If warning messages are set for "Normal Termination," the following code must be set at the beginning: Procedure Result Code 2=WXXXX-XXXX-XXXX.

2) Output Information Message (excluding inquiry result) format

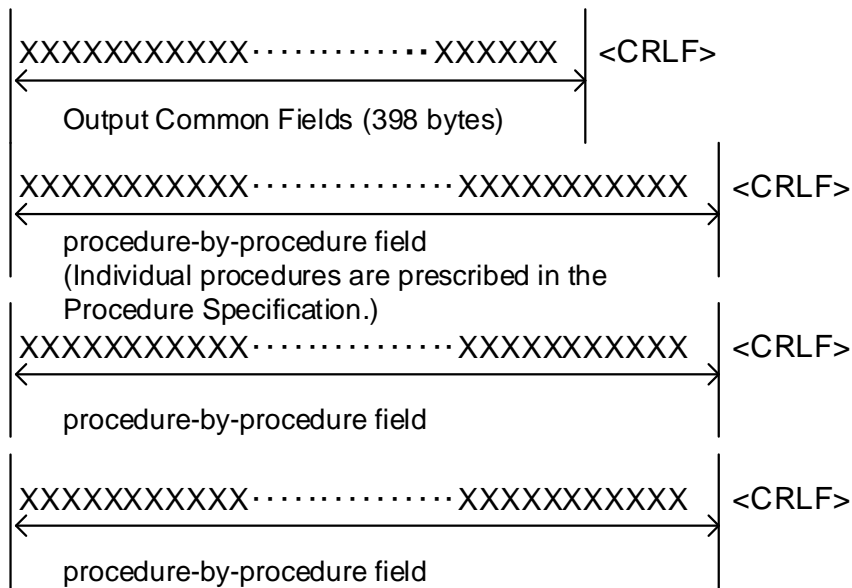
Figure A3.2 shows the format of an Output Information Message (excluding inquiry result):

Output Common Fields (398 bytes)	CL RF	procedure-by-procedure field	CL RF	procedure-by-procedure field	CL RF	procedure-by-procedure field	CL RF
-------------------------------------	----------	------------------------------	----------	------------------------------	----------	------------------------------	----------

Figure A3.2 Format of Output Information Message (excluding inquiry result)

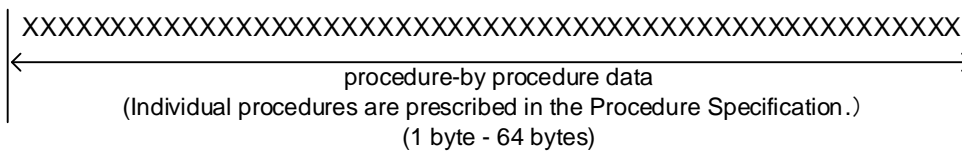
(Note) Details of procedure-by-procedure fields are given in the Procedure Specification.

When viewed in text format in software of a text editor tool, etc., an output message Figure A3.2 will appear as follows:



In the case of an Output Information Message (excluding inquiry result), procedure-by-procedure data must be set in "Subject" of common output fields.

When viewed in text format in software of a text editor tool, etc., an output message in "Subject" will be as follows. (Only Subject portion is extracted)



### 3) Format of Process Result Output Message output in case of error

In the NACCS Center server, the following checking procedures are implemented. When an error occurs in a checking step, a Process Result Output Message will be transmitted.

Figure A3.3 shows basic patterns of Process Result Output Messages:

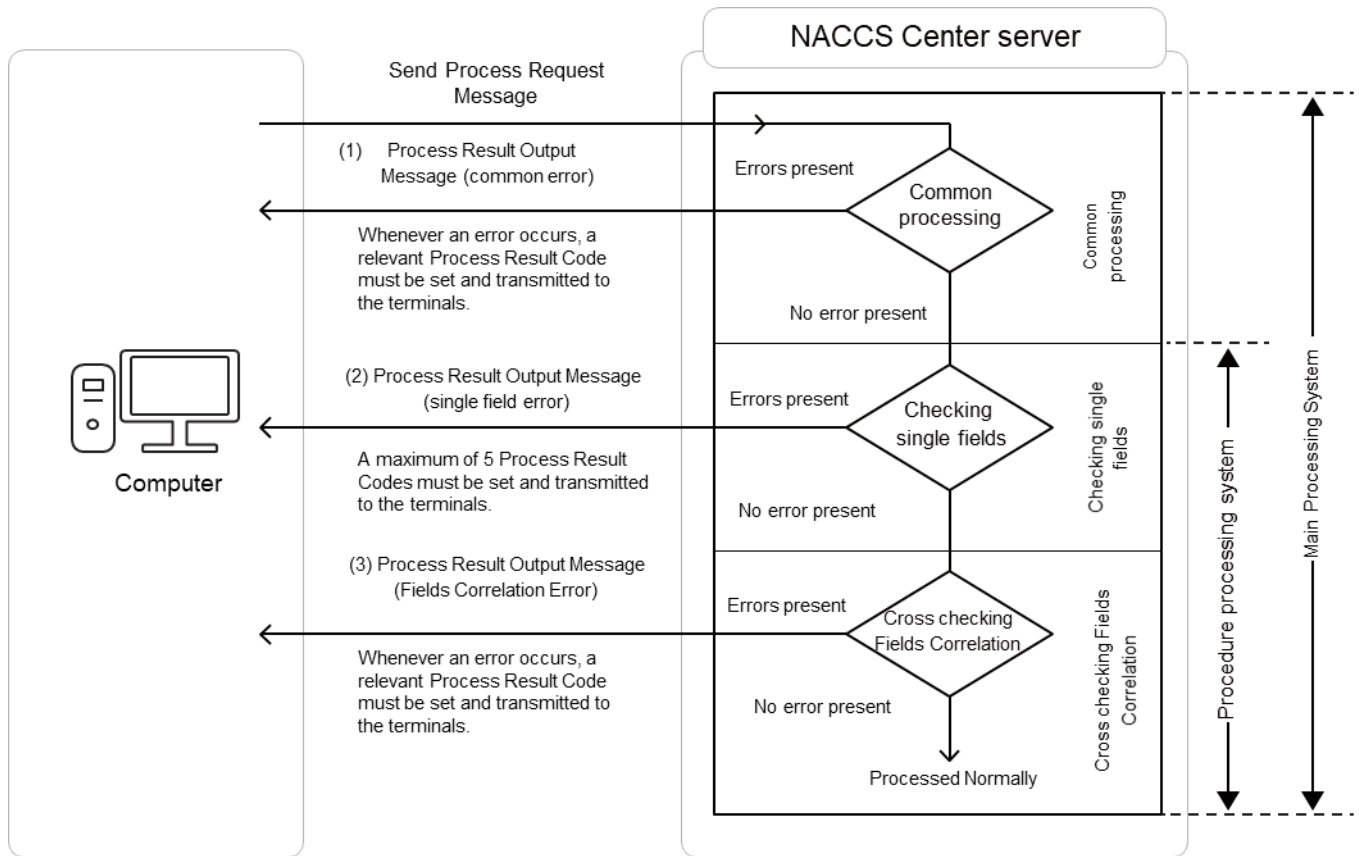


Figure A3.3 Basic Output Patterns of Process Result Output Messages

Means of checking vary depending on the procedure.

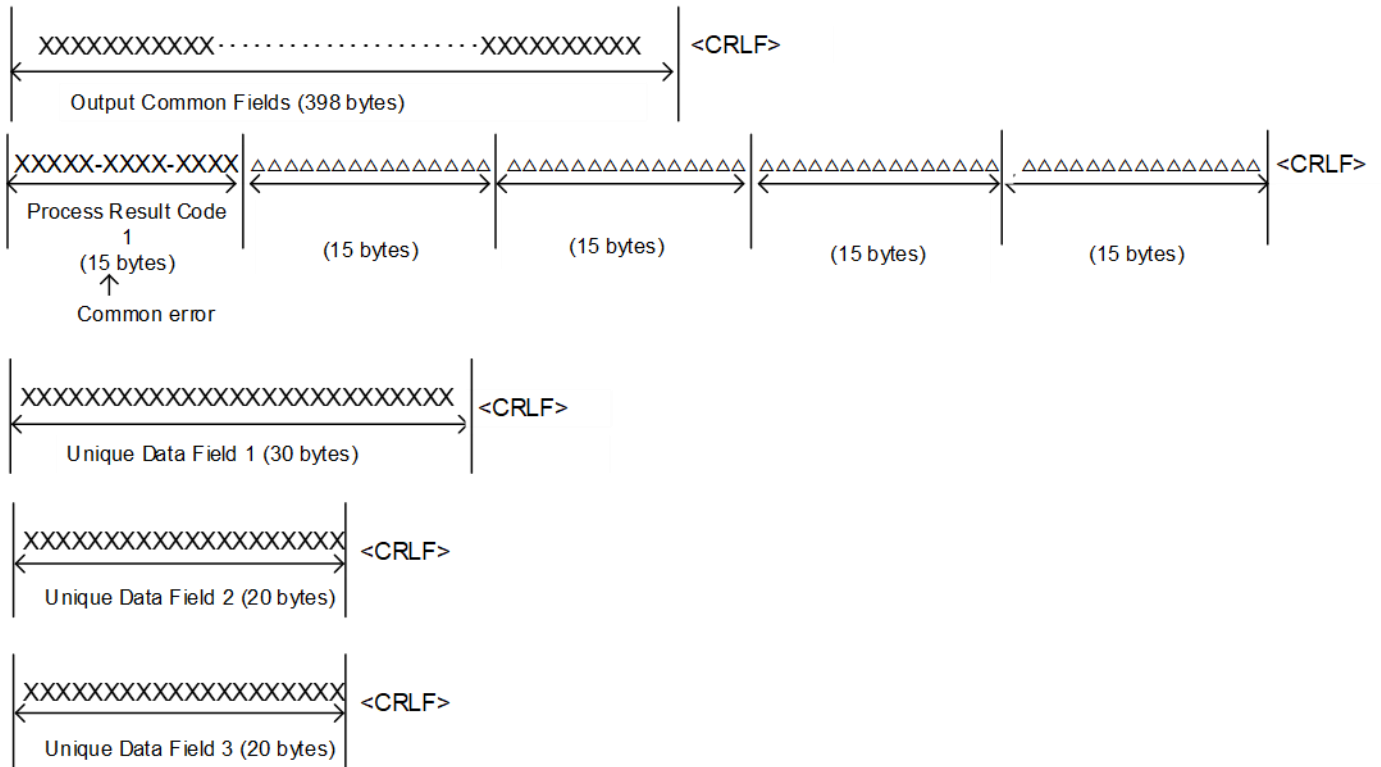
The following shows the format of error message output:

In addition, for Process Result Codes set in the error message output, see "Appendix 6.2 Procedure Process Result Code System".

1. Process Result Output Message (common error)

In the case of an error detected during common processing, one Process Result Code is set and output a Process Result Output Message.

When viewed in text format in software of a text editor tool, etc., a message will be appeared as follows:

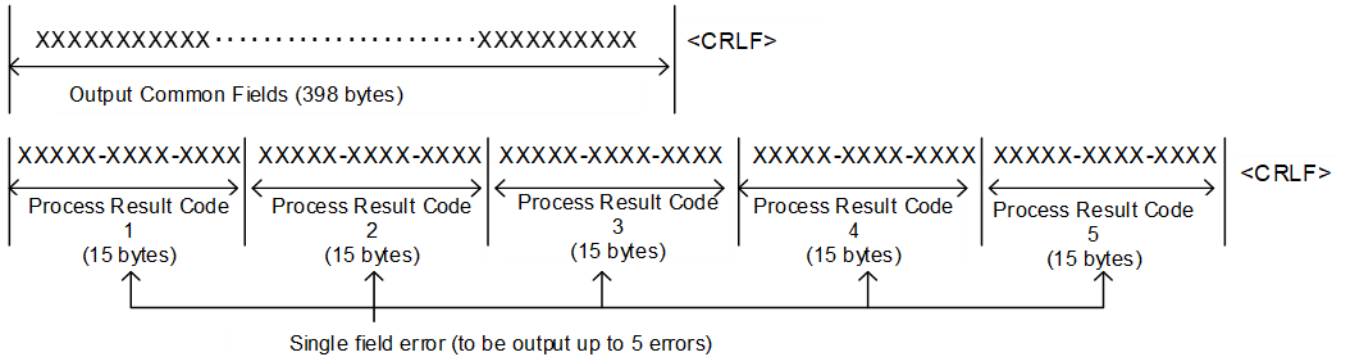


(Note) Provide a space in Unique Data Field 1 to 3.

2. Process Result Output Message (Single Field Error)

In the case of an error detected during single field verification, a maximum of 5 Process Result Codes must be set to output a Process Result Output Message.

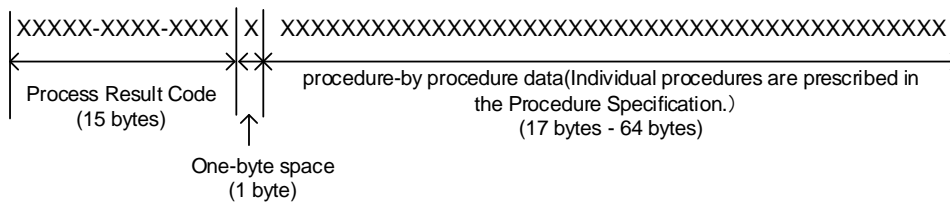
When viewed in text format in software of a text editor tool, etc., a message will be appeared as follows:



(Note) Values for individual procedure fields are omitted and predefined in the Specification on a procedure-by-procedure basis.

In "Subject" of Output Common Fields, the following values are to be set: Process Result Code + a one-byte space + procedure-by-procedure data.

When viewed in text format in software of a text editor tool, etc., an output message in "Subject" will be as follows. (Only Subject portion is extracted)

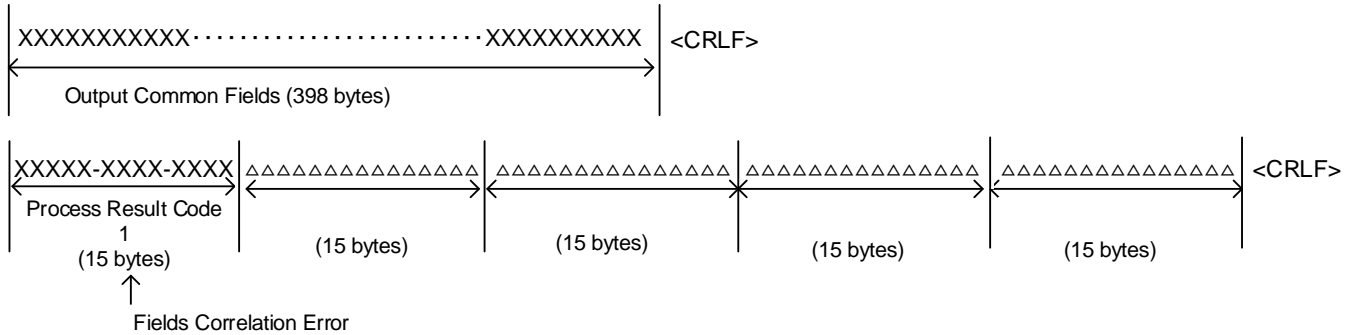


(Note) The forefront processing result code (Processing Result Code 1=XXXXX-XXXX-XXXX) is set.

### 3. Process Result Output Message (Fields Correlation Error)

One or more Process Result Codes must be set in the case of an error detected during cross checking Fields Correlation to output Process Result Output Message.

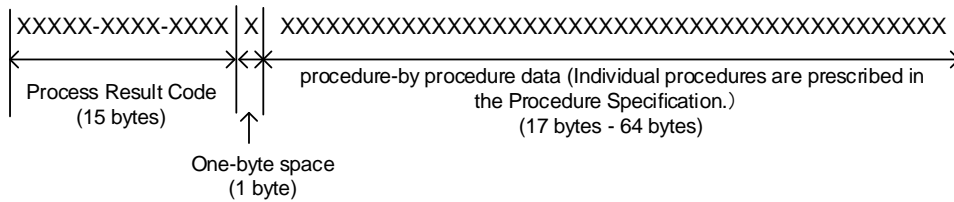
When viewed in text format in software of a text editor tool, etc., a message will be appeared as follows:



(Note) Values for individual procedure fields are omitted and predefined in the Specification on a procedure-by-procedure basis.

In "Subject" of Output Common Fields, the following values are to be set: Process Result Code + a one-byte space + procedure-by-procedure data.

When viewed in text format in software of a text editor tool, etc., an output message in "Subject" will be as follows. (Only Subject portion is extracted)



(2) EDIFACT message

In the case of an error detected during common processing, one Process Result Code is set in "APERAK" of the EDIFACT message and send it as a Process Result Output Message.

If Single Field Errors or Fields Correlation Error occur, a maximum of 5 Process Result Codes must be set in "CUSRES" of the EDIFACT message of procedure subjected for EDIFACT, and send it as a Process Result Output Message.

(3) XML message

In the case of an error detected during common processing, one Process Result Code is set and send it as a Process Result Output Message. For specified contents, refer to "Appendix 13-1 Process Result Notification (Common Error) Mapping Table."

If Single Field Errors or Fields Correlation Error occur, a maximum of 5 Process Result Codes must be set and send it as a Process Result Output Message. For specified contents, refer to "Process Result Notification (Common Error) Mapping Table (XML)" for procedures subjected for XML.

(4) Procedures which treated as Sequential Processing

Refer to the Sequential Processing of "Table A6-8 Output Information Code List" for the message being subject of Sequential Processing.