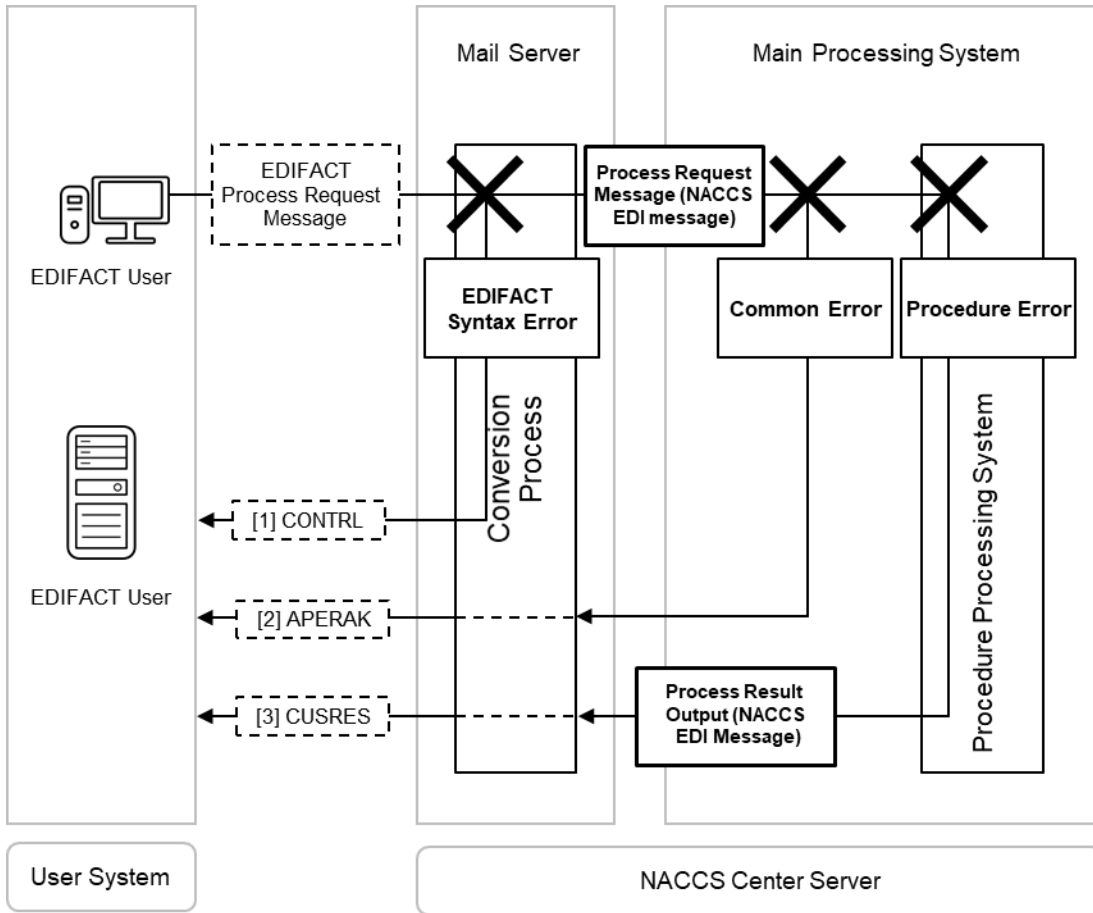


Appendix 12-1-4 Error Handling for EDIFACT message

In NACCS, when an error occurs within an EDIFACT message (other than PADIS EDIFACT format) sent from a user, an error message will be created using 3 types of EDIFACT message depending on types of errors. In addition, for a message which is sent in form of multiple-message, error results will be returned for each stored EDIFACT message.

The following shows EDIFACT error message output from NACCS.



1. CONTRL Message

(1) Purpose for use

For "Confirmation of receipt" in response to a receipt confirmation request of an EDIFACT message sent from user, and notification of syntax errors when there is a syntax error in an EDIFACT message, CONTRL messages should be used.

- Confirmation of receipt: It is up to user's selection whether to use CONTRL messages for confirmation of receipt, and the message is output only when "1" is specified in the "Receipt confirmation request" column in UNB segment of an EDIFACT message.
- Notification of error: When there is a syntax error in an EDIFACT message sent from user, the message will be output regardless of designation set by user (UNB receipt confirmation request). The major cases of syntax errors are such as errors in message format and exchange protocol.

(2) Unit of creation

One CONTRL message is created for one EDIFACT message (one exchange) from user.

(3) Segment structure

[1] When function groups are not used

When function groups (UNG through UNE) are not used in a Process Request message sent from user, Segment Group 1 for CONTRL messages should be used.

[2] When function groups are used

When function groups (UNG through UNE) are used in a Process Request message sent from user, Segment Group 3 for CONTRL messages should be used.

2. APERAK Message

(1) Purpose for use

This is used for notification of common error which is output when a Process Request message based on an EDIFACT message sent by user becomes an error before procedure processing at the Main Processing System. The following shows major cases of "common error."

- Case where there is no User Code.
- Case where the user is unauthorized for this service.

(2) Unit of creation

One APERAK is created for one common error created at the Main Processing System.

3. CUSRES Message

(1) Purpose for use

This is used for notification of procedure error which is output when a Process Request message based on an EDIFACT message sent by user becomes error during process at the Main Processing System.

(2) Unit of creation

One CUSRES is created for one procedure error created at the Main Processing System.

4. Mapping Table

For CONTRL messages, refer to "Table A12-1-6 CONTRL Segment Table (with function group)", "Table A12-1-7 CONTRL Mapping Table (with function group)", "Table A12-1-8 CONTRL Segment Table (without function group)", "Table A12-1-9 CONTRL Mapping Table (with function group)."

For APERAK messages, refer to "Table A12-1-10 APERAK Segment Table" and "Table 12-1-11 APERAK Mapping Table."

For CUSRES messages, refer to Mapping Tables for each procedure.

5. Code List

For action codes and syntax error codes used in CONTRL messages, refer to "Table A12-1-12 CONTRL Error Code."

Table A12-1-6 CONTRL Segment Table (with functional group)

<CONTRL(Ver2.0)/with functional group>

Tag	Name	UN/EDIFACT		NACCS		Field name (For reference)
		S	R	S	R	
UNH	Message header	M	1	M	1	Message reference number
UCI	Interchange response	M	1	M	1	Interchange control reference number User Code Action code Syntax error code Error segment tag
Segment group 1		C	999999	X		
UCM	Message/package response	M	1	X		
Segment group 2		C	999	X		
UCS	Segment error indication	M	1	X		
UCD	Data element error indication	C	99	X		
Segment group 3		C	999999	C	99	Functional group response group
UCF	Group response	M	1	M	1	User Code Functional group reference number Action code
Segment group 4		C	999999	C	99	Message response group
UCM	Message/package response	M	1	M	1	Message reference number Subset name Action code
Segment group 5		C	999	C	1	Segment response group
UCS	Segment error indication	M	1	M	1	Segment position in the message Syntax error code
UCD	Data element error indication	C	99	C	1	Syntax error code Error data element position Error component data element position
UNT	Message trailer	M	1	M	1	Number of segments in the message Message reference number

Table A12-1-7 CONTRL Mapping Table (with functional group)

CONTRL/Ver2.0/with functional group

UNH:MESSAGE HEADER

TAG	COMP	NAME	UN/EDIFACT			NACCS			Item No.	Field name/Setting Value	Special Notes
			S	Rep	FORMA	S	Rep	FORMA			
UNH		MESSAGE HEADER	M	1		M	1				
0062		MESSAGE REFERENCE NUMBER	M	1	an..14	M	1	an..13		Message reference number	
S009		MESSAGE IDENTIFIER	M	1		M	1				
	0065	Message type	M		an..6	M		an..6		CONTRL	
	0052	Message version number	M		an..3	M		an..3		2	
	0054	Message release number	M		an..3	M		an..3		1	
	0051	Controlling agency, coded	M		an..3	M		an..3		UN	
	0057	Association assigned code	C		an..6	X					
	0110	Code list directory version number	C		an..6	X					
	0113	Message type sub-function identification	C		an..6	X					
0068		COMMON ACCESS REFERENCE	C	1	an..35	X					
S010		STATUS OF THE TRANSFER	C	1		X					
	0070	Sequence of transfers	M		n..2	X					
	0073	First and last transfer	C		a1	X					
S016		MESSAGE SUBSET IDENTIFICATION	C	1		X					
	0115	Message subset identification	M		an..14	X					
	0116	Message subset version number	C		an..3	X					
	0118	Message subset release number	C		an..3	X					
	0051	Controlling agency, coded	C		an..3	X					
S017		MESSAGE IMPLEMENTATION GUIDELINE IDENTIFICATION	C	1		X					
	0121	Message implementation guideline identification	M		an..14	X					
	0122	Message implementation guideline version number	C		an..3	X					
	0124	Message implementation guideline release number	C		an..3	X					
	0051	Controlling agency, coded	C		an..3	X					
S018		SCENARIO IDENTIFICATION	C	1		X					
	0127	Scenario identification	M		an..14	X					
	0128	Scenario version number	C		an..3	X					
	0130	Scenario release number	C		an..3	X					
	0051	Controlling agency, coded	C		an..3	X					

UNH+000000000001+CONTRL:2:1:UN'

UCI:INTERCHANGE RESPONSE

TAG	COMP	NAME	UN/EDIFACT			NACCS			Item No.	Field name/Setting Value	Special Notes
			S	Rep	FORMA	S	Rep	FORMA			
UCI		INTERCHANGE RESPONSE	M	1		M	1				
0020		INTERCHANGE CONTROL REFERENCE	M	1	an..14	M	1	an..14		Interchange control reference number	Set the UNB-0020 value of the Process Request Message.
S002		INTERCHANGE SENDER	M	1		M	1				
	0004	Interchange sender identification	M		an..35	M		an..5		User Code	Set the UNB S002-0004 value of the Process Request Message.
	0007	Identification code qualifier	C		an..4	X					
	0008	Interchange sender internal identification	C		an..35	X					
	0042	Interchange sender internal sub-identification	C		an..35	X					
S003		INTERCHANGE RECIPIENT	M	1		M	1				
	0010	Interchange recipient identification	M		an..35	M		an..5		NACCS	[NACCS]
	0007	Identification code qualifier	C		an..4	X					
	0014	Interchange recipient internal identification	C		an..35	X					
	0046	Interchange recipient internal sub-identification	C		an..35	X					
0083		ACTION, CODED	M	1	an..3	M	1	an..3		Action code	
0085		SYNTAX ERROR, CODED	C	1	an..3	C	1	an..3		Syntax error code	Required if there is an error segment tag.
0135		SERVICE SEGMENT TAG, CODED	C	1	an..3	C	1	an..3		Error segment tag	
S011		DATA ELEMENT IDENTIFICATION	C	1		X					
	0098	Erroneous data element position in segment	M		n..3	X					
	0104	Erroneous component data element position	C		n..3	X					
	0136	Erroneous data element occurrence	C		n..6	X					
0534		SECURITY REFERENCE NUMBER	C	1	an..14	X					
0138		SECURITY SEGMENT POSITION	C	1	n..6	X					

UCI+NACCS123456789+1ABBC+NACCS+7'

		---SEGMENT GROUP 3---	C	999999	C	99			
--	--	-----------------------	---	--------	---	----	--	--	--

UCF:GROUP RESPONSE

TAG	COMP	NAME	UN/EDIFACT			NACCS			Item No.	Field name/Setting Value	Special Notes
			S	Rep	FORMA	S	Rep	FORMA			
UCF		GROUP RESPONSE	M	1		M	1				
0048		GROUP REFERENCE NUMBER	M	1	an..14	M	1	an..14		Functional group reference number Set the UNG-0020 value of the Process Request Message.	
S006		APPLICATION SENDER IDENTIFICATION	C	1		M	1				
	0040	Application sender identification	M		an..35	M		an..5		User Code Set the UNB S006-0040 value of the Process Request Message.	
	0007	Identification code qualifier	C		an..4	X					
S007		APPLICATION RECIPIENT IDENTIFICATION	C	1		M	1				
	0044	Application recipient identification	M		an..35	M		an..5		NACCS [NACCS]	
	0007	Identification code qualifier	C		an..4	X					
0083		ACTION, CODED	M	1	an..3	M	1	an..3		Action code	
0085		SYNTAX ERROR, CODED	C	1	an..3	X					
0135		SERVICE SEGMENT TAG, CODED	C	1	an..3	X					
S011		DATA ELEMENT IDENTIFICATION	C	1		X					
	0098	Erroneous data element position in segment	M		n..3	X					
	0104	Erroneous component data element position	C		n..3	X					
	0136	Erroneous data element occurrence	C		n..6	X					
0534		SECURITY REFERENCE NUMBER	C	1	an..14	X					
0138		SECURITY SEGMENT POSITION	C	1	n..6	X					

UCF+NACCS987654321+1ABBC+NACCS+7'

		---SEGMENT GROUP 4---	C	999999	C	99			
--	--	-----------------------	---	--------	---	----	--	--	--

UCM:MESSAGE/PACKAGE RESPONSE

TAG	COMP	NAME	UN/EDIFACT			NACCS			Item No.	Field name/Setting Value	Special Notes
			S	Rep	FORMA	S	Rep	FORMA			
UCM		MESSAGE/PACKAGE RESPONSE	M	1		M	1				
0062		MESSAGE REFERENCE NUMBER	C	1	an..14	M	1	an..14		Message reference number Set the UNH 0062 value of the Process Request Message.	
S009		MESSAGE IDENTIFIER	C	1		M	1				
	0065	Message type	M		an..6	M		an..6		Subset name Set the UNH S009-0065 value of the Process Request Message.	
	0052	Message version number	M		an..3	M		an..3	D		
	0054	Message release number	M		an..3	M		an..3		Message version Set the message version corresponding to the subset.	
	0051	Controlling agency, coded	M		an..3	M		an..3	UN		
	0057	Association assigned code	C		an..6	M		an..6	NAC10	[NAC10]	
	0110	Code list directory version number	C		an..6	X					
	0113	Message type sub-function identification	C		an..6	X					
0083		ACTION, CODED	M	1	an..3	M	1	an..3		Action code	
0085		SYNTAX ERROR, CODED	C	1	an..3	X					
0135		SERVICE SEGMENT TAG, CODED	C	1	an..3	X					
S011		DATA ELEMENT IDENTIFICATION	C	1		X					
	0098	Erroneous data element position in segment	M		n..3	X					
	0104	Erroneous component data element position	C		n..3	X					
	0136	Erroneous data element occurrence	C		n..6	X					
0800		PACKAGE REFERENCE NUMBER	C	1	an..35	X					
S020		REFERENCE IDENTIFICATION	C	99		X					
	0813	Reference qualifier	M		an..3	X					
	0802	Reference identification number	M		an..35	X					
0534		SECURITY REFERENCE NUMBER	C	1	an..14	X					
0138		SECURITY SEGMENT POSITION	C	1	n..6	X					

UCM+NACCS123456789+VBX110:D:21A:UN:NAC10+4'

		---SEGMENT GROUP 5---	C	999	C	1			
--	--	-----------------------	---	-----	---	---	--	--	--

UCS:SEGMENT ERROR INDICATION

TAG	COMP	NAME	UN/EDIFACT			NACCS			Item No.	Field name/Setting Value	Special Notes
			S	Rep	FORMA	S	Rep	FORMA			
UCS		SEGMENT ERROR INDICATION	M	1		M	1				
009		SEGMENT POSITION IN MESSAGE	M	1	n..6	M	1	n..6		Segment position	
6		BODY									
0085		SYNTAX ERROR, CODED	C	1	an..3	C	1	an..3		Syntax error code	

UCS+7'

		---SEGMENT GROUP 5---	C	999	C	1			
--	--	-----------------------	---	-----	---	---	--	--	--

UCD:DATA ELEMENT ERROR INDICATION

TAG	COMP	NAME	UN/EDIFACT			NACCS			Item No.	Field name/Setting Value	Special Notes
			S	Rep	FORMA	S	Rep	FORMA			
UCD		DATA ELEMENT ERROR INDICATION	C	1		C	1				
0085		SYNTAX ERROR, CODED	M	1	an..3	M	1	an..3		Syntax error code	
S011		DATA ELEMENT IDENTIFICATION	M	1		M	1				
	0098	Erroneous data element position in segment	M		n..3	M		n..3		Error data element position	
	0104	Erroneous component data element position	C		n..3	C		n..3		Error component data element position	
	0136	Erroneous data element occurrence	C		n..6	X					

UCD+12+3:2'

UNT:MESSAGE TRAILER

TAG	COMP	NAME	UN/EDIFACT			NACCS			Item No.	Field name/Setting Value	Special Notes
			S	Rep	FORMA	S	Rep	FORMA			
UNT		MESSAGE TRAILER	M	1		M	1				
0074		NUMBER OF SEGMENTS IN A MESSAGE	M	1	n..10	M	1	n..10		Number of segments in the message	
0062		MESSAGE REFERENCE NUMBER	M	1	an..14	M	1	an..13		Message reference number	

UNT+7+0000000000001'

CONTRL:SAMPLE MESSAGE

UNH+0000000000001+CONTRL:2:1:UN'
 UCI+NACCS123456789+1ABBC+NACCS+7'
 UCF+NACCS987654321+1ABBC+NACCS+7'
 UCM+NACCS123456789+VBX110:D:21A:UN:NAC10+4'
 UCS+7'
 UCD+12+3:2'
 UNT+7+0000000000001'

Table A12-1-8 CONTRL Segment Table (no functional group)

<CONTRL(Ver2.0)/no functional group>

Tag	Name	UN/EDIFACT		NACCS		Field name (reference)
		S	R	S	R	
UNH	Message header	M	1	M	1	Message reference number
UCI	Interchange response	M	1	M	1	Interchange control reference number User Code Action code Syntax error code Error segment tag
Segment group 1		C	999999	C	99	Message response group
UCM	Message/package response	M	1	M	1	Message reference number Subset name Action code Syntax error code Error segment tag
Segment group 2		C	999	C	1	Segment response group
UCS	Segment error indication	M	1	M	1	Segment position in the message Syntax error code
UCD	Data element error indication	C	99	C	1	Syntax error code Error data element position Error component data element position
Segment group 3		C	999999	X		
UCF	Group response	M	1	X		
Segment group 4		C	999999	X		
UCM	Message/package response	M	1	X		
Segment group 5		C	999	X		
UCS	Segment error indication	M	1	X		
UCD	Data element error indication	C	99	X		
UNT	Message trailer	M	1	M	1	Number of segments in the message Message reference number

Table A12-1-9 CONTRL Mapping Table (no functional group)

CONTRL (Ver2.0) / no functional group

UNH:MESSAGE HEADER

TAG	COMP	NAME	UN/EDIFACT			NACCS			Item No.	Field name/Setting Value	Special Notes
			S	Rep	FORMA	S	Rep	FORMA			
UNH		MESSAGE HEADER	M	1		M	1				
0062		MESSAGE REFERENCE NUMBER	M	1	an..14	M	1	an..13		Message reference number	
S009		MESSAGE IDENTIFIER	M	1		M	1				
	0065	Message type	M		an..6	M		an..6		CONTRL	
	0052	Message version number	M		an..3	M		an..3		2	
	0054	Message release number	M		an..3	M		an..3		1	
	0051	Controlling agency, coded	M		an..3	M		an..3		UN	
	0057	Association assigned code	C		an..6	X					
	0110	Code list directory version number	C		an..6	X					
	0113	Message type sub-function identification	C		an..6	X					
0068		COMMON ACCESS REFERENCE	C	1	an..35	X					
S010		STATUS OF THE TRANSFER	C	1		X					
	0070	Sequence of transfers	M		n..2	X					
	0073	First and last transfer	C		a1	X					
S016		MESSAGE SUBSET IDENTIFICATION	C	1		X					
	0115	Message subset identification	M		an..14	X					
	0116	Message subset version number	C		an..3	X					
	0118	Message subset release number	C		an..3	X					
	0051	Controlling agency, coded	C		an..3	X					
S017		MESSAGE IMPLEMENTATION GUIDELINE IDENTIFICATION	C	1		X					
	0121	Message implementation guideline identification	M		an..14	X					
	0122	Message implementation guideline version number	C		an..3	X					
	0124	Message implementation guideline release number	C		an..3	X					
	0051	Controlling agency, coded	C		an..3	X					
S018		SCENARIO IDENTIFICATION	C	1		X					
	0127	Scenario identification	M		an..14	X					
	0128	Scenario version number	C		an..3	X					
	0130	Scenario release number	C		an..3	X					
	0051	Controlling agency, coded	C		an..3	X					

UNH+000000000001+CONTRL:2:1:UN'

UCI:INTERCHANGE RESPONSE

TAG	COMF	NAME	UN/EDIFACT			NACCS			Item No.	Field name/Setting Value	Special Notes
			S	Rep	FORMA	S	Rep	FORMA			
UCI		INTERCHANGE RESPONSE	M	1		M	1				
0020		INTERCHANGE CONTROL REFERENCE	M	1	an..14	M	1	an..14		Interchange control reference number	Set the UNB-0020 value of the process request message.
S002		INTERCHANGE SENDER	M	1		M	1				
	0004	Interchange sender identification	M		an..35	M		an..5	1-5	User Code	Set the UNB S002-0004 value of the process request message.
	0007	Identification code qualifier	C		an..4	X					
	0008	Interchange sender internal identification	C		an..35	X					
	0042	Interchange sender internal sub-identification	C		an..35	X					
S003		INTERCHANGE RECIPIENT	M	1		M	1				
	0010	Interchange recipient identification	M		an..35	M		an..5		NACCS	[NACCS]
	0007	Identification code qualifier	C		an..4	X					
	0014	Interchange recipient internal identification	C		an..35	X					
	0046	Interchange recipient internal sub-identification	C		an..35	X					
0083		ACTION, CODED	M	1	an..3	M	1	an..3		Action code	
0085		SYNTAX ERROR, CODED	C	1	an..3	C	1	an..3		Syntax error code	Required if there is an error segment tag.
0013		SERVICE SEGMENT TAG, CODED	C	1	an..3	C	1	an..3		Error segment tag	
S011		DATA ELEMENT IDENTIFICATION	C	1		X					
	0098	Erroneous data element position in segment	M		n..3	X					
	0104	Erroneous component data element position	C		n..3	X					
	0136	Erroneous data element occurrence	C		n..6	X					
0534		SECURITY REFERENCE NUMBER	C	1	an..14	X					
0138		SECURITY SEGMENT POSITION	C	1	n..6	X					

UCI+NACCS123456789+1ABBC+NACCS+7'

	---SEGMENT GROUP 1---	C	999999	C	99		
--	-----------------------	---	--------	---	----	--	--

UCM:MESSAGE/PACKAGE RESPONSE

TAG	COMP	NAME	UN/EDIFACT			NACCS			Item No.	Field name/Setting Value	Special Notes
			S	Rep	FORMA	S	Rep	FORMA			
UCM		MESSAGE/PACKAGE RESPONSE	M	1		M	1				
0062		MESSAGE REFERENCE NUMBER	M	1	an..14	M	1	an..14		Message reference number	Set the UNH 0062 value of the process request message.
S009		MESSAGE IDENTIFIER	M	1		M	1				
	0065	Message type	M		an..6	M		an..6		Subset name	Set the UNH S009-0065 value of the process request message.
	0052	Message version number	M		an..3	M		an..3		D	
	0054	Message release number	M		an..3	M		an..3		Message version	Set the message version corresponding to the subset.
	0051	Controlling agency, coded	M		an..3	M		an..3		UN	
	0057	Association assigned code	C		an..6	M		an..6		NAC10	[NAC10]
	0110	Code list directory version number	C		an..6	X					
	0113	Message type sub-function identification	C		an..6	X					
0083		ACTION, CODED	M	1	an..3	M	1	an..3		Action code	
0085		SYNTAX ERROR, CODED	C	1	an..3	C	1	an..3		Syntax error code	
0135		SERVICE SEGMENT TAG, CODED	C	1	an..3	C	1	an..3		Error segment tag	
S011		DATA ELEMENT IDENTIFICATION	C	1		X					
	0098	Erroneous data element position in segment	M		n..3	X					
	0104	Erroneous component data element position	C		n..3	X					
	0136	Erroneous data element occurrence	C		n..6	X					
0800		PACKAGE REFERENCE NUMBER	C	1	an..35	X					
S020		REFERENCE IDENTIFICATION	C	99		X					
	0813	Reference qualifier	M		an..3	X					
	0802	Reference identification number	M		an..35	X					
0534		SECURITY REFERENCE NUMBER	C	1	an..14	X					
0138		SECURITY SEGMENT POSITION	C	1	n..6	X					

UCM+NACCS123456789+VTX110:D:21A:UN:NAC10+4'

		---SEGMENT GROUP 2---	C	999	C	1		
--	--	-----------------------	---	-----	---	---	--	--

UCS:SEGMENT ERROR INDICATION

TAG	COMP	NAME	UN/EDIFACT			NACCS			Item No.	Field name/Setting Value	Special Notes
			S	Rep	FORMA	S	Rep	FORMA			
UCS		SEGMENT ERROR INDICATION	M	1		M	1				
0096		SEGMENT POSITION IN MESSAGE BODY	M	1	n..6	M	1	n..6		Segment position	
0085		SYNTAX ERROR, CODED	C	1	an..3	C	1	an..3		Syntax error code	

UCS+7'

		---SEGMENT GROUP 2---	C	999	C	1		
--	--	-----------------------	---	-----	---	---	--	--

UCD:DATA ELEMENT ERROR INDICATION

TAG	COMP	NAME	UN/EDIFACT			NACCS			Item No.	Field name/Setting Value	Special Notes
			S	Rep	FORMA	S	Rep	FORMA			
UCD		DATA ELEMENT ERROR INDICATION	C	1		C	1				
0085		SYNTAX ERROR, CODED	M	1	an..3	M	1	an..3		Syntax error code	
S011		DATA ELEMENT IDENTIFICATION	M	1		M	1				
	0098	Erroneous data element position in segment	M		n..3	M		n..3		Error data element position	
	0104	Erroneous component data element position	C		n..3	C		n..3		Error component data element position	
	0136	Erroneous data element occurrence	C		n..6	X					

UCD+12+3:2'

UNT:MESSAGE TRAILER

TAG	COMP	NAME	UN/EDIFACT			NACCS			Item No.	Field name/Setting Value	Special Notes
			S	Rep	FORMA	S	Rep	FORMA			
UNT		MESSAGE TRAILER	M	1		M	1				
0074		NUMBER OF SEGMENTS IN A MESSAGE	M	1	n..10	M	1	n..10		Number of segments in the message	
0062		MESSAGE REFERENCE NUMBER	M	1	an..14	M	1	an..13		Message reference number	

UNT+6+0000000000001'

CONTRL:SAMPLE MESSAGE

UNH+0000000000001+CONTRL:2:1:UN'

UCI+NACCS123456789+1ABBC+NACCS+7'

UCM+NACCS123456789+VTX110:D:21A:UN:NAC10+4'

UCS+7'

UCD+12+3:2'

UNT+6+0000000000001'

Table A12-1-10 APERAK Segment Table
<APERAK(D21A)/Common messages>

Tag	Name	UN/EDIFACT		NACCS		Field name (For reference)
		S	R	S	R	
UNH	Message header	M	1	M	1	Message reference number
BGM	Beginning of message	M	1	M	1	1. Output Common Field (Output Information Code)
DTM	Date/time/period	C	9	X		
FTX	Free text	C	9	M	1	1. Output Common Field (message control information)
CNT	Control total	C	9	X		1. Output Common Field (Message Tan)
Segment group 1		C	99	X		
DOC	Document/message details	M	1	X		
DTM	Date/time/period	C	99	X		
Segment group 2		C	9	C	1	Input Message ID
RFF	Reference	M	1	M	1	1. Output Common Field (Input Message ID)
DTM	Date/time/period	C	9	X		
Segment group 3		C	9	X		
NAD	Name and address	M	1	X		
CTA	Contact information	C	9	X		
COM	Communication contact	C	9	X		
Segment group 4		C	99999	M	1	Process Result
ERC	Application error information	M	1	M	1	**1 (Used as a dummy)
FTX	Free text	C	1	M	1	2. Process Result Code
Segment group 5		C	9	X		
RFF	Reference	M	1	X		
FTX	Free text	C	9	X		
UNT	Message trailer	M	1	M	1	Number of segments in the message Message reference number

**Table A12-1-11 APERAK Mapping Table
APERAK/D21A/Common messages**

UNH:MESSAGE HEADER

TAG	COMP	NAME	UN/EDIFACT			NACCS			Item No.	Field name/Setting Value	Special Notes
			S	Rep	FORMA	S	Rep	FORMA			
UNH		MESSAGE HEADER	M	1		M	1				
0062		MESSAGE REFERENCE NUMBER	M	1	an..14	M	1	an..13		Message reference number	
S009		MESSAGE IDENTIFIER	M	1		M	1				
	0065	Message type	M		an..6	M		an..6		APERAK	
	0052	Message version number	M		an..3	M		an..3		D	
	0054	Message release number	M		an..3	M		an..3		21A	
	0051	Controlling agency, coded	M		an..3	M		an..3		UN	
	0057	Association assigned code	C		an..6	M		an..6		NAC10	
	0110	Code list directory version number	C		an..6	X				[NAC10]	
	0113	Message type sub-function identification	C		an..6	X					
0068		COMMON ACCESS REFERENCE	C	1	an..35	X					
S010		STATUS OF THE TRANSFER	C	1		X					
	0070	Sequence of transfers	M		n..2	X					
	0073	First and last transfer	C		a1	X					
S016		MESSAGE SUBSET IDENTIFICATION	C	1		X					
	0115	Message subset identification	M		an..14	X					
	0116	Message subset version number	C		an..3	X					
	0118	Message subset release number	C		an..3	X					
	0051	Controlling agency, coded	C		an..3	X					
S017		MESSAGE IMPLEMENTATION GUIDELINE IDENTIFICATION	C	1		X					
	0121	Message implementation guideline identification	M		an..14	X					
	0122	Message implementation guideline version number	C		an..3	X					
	0124	Message implementation guideline release number	C		an..3	X					
	0051	Controlling agency, coded	C		an..3	X					
S018		SCENARIO IDENTIFICATION	C	1		X					
	0127	Scenario identification	M		an..14	X					
	0128	Scenario version number	C		an..3	X					
	0130	Scenario release number	C		an..3	X					
	0051	Controlling agency, coded	C		an..3	X					

UNH+ABCDE12345678+APERAK:D:21A:UN:NAC10'

BGM:BEGINNING OF MESSAGE

TAG	COMP	NAME	UN/EDIFACT			NACCS			Item No.	Field name/Setting Value	Special Notes
			S	Rep	FORMA	S	Rep	FORMA			
BGM		BEGINNING OF MESSAGE	M	1		M	1				
C002		DOCUMENT/MESSAGE NAME	C	1		M	1				
	1001	Document name code	C		an..3	M		an..3	963	963=Error response (Customs)	
	1131	Code list identification code	C		an..17	X					
	3055	Code list responsible agency code	C		an..3	X					
	1000	Document name	C		an..35	M		an..7	1	*CCMSG Output Information Code [*CCMSG] = Common message	
C106		DOCUMENT/MESSAGE	C	1		X					
	1004	Document identifier	C		an..70	X					
	1056	Version identifier	C		an..9	X					
	1060	Revision identifier	C		an..6	X					
1225		MESSAGE FUNCTION CODE	C	1	an..3	M	1	an1	9	9=Original	
4343		RESPONSE TYPE CODE	C	1	an..3	X					
1373		DOCUMENT STATUS CODE	C	1	an..3	X					
3453		LANGUAGE NAME CODE	C	1	an..3	X					

BGM+963:::*CCMSG++9'

FTX:FREE TEXT

TAG	COMP	NAME	UN/EDIFACT			NACCS			Item No.	Field name/Setting Value	Special Notes
			S	Rep	FORMA	S	Rep	FORMA			
FTX		FREE TEXT	C	9		M	1				
4451		TEXT SUBJECT CODE QUALIFIER	M	1	an..3	M	1	an..3		NHI	[NHI] = NACCS header information
4453		FREE TEXT FUNCTION CODE	C	1	an..3	X					
C107		TEXT REFERENCE	C	1		X					
	4441	Free text description code	M		an..17	X					
	1131	Code list identification code	C		an..17	X					
	3055	Code list responsible agency code	C		an..3	X					
C108		TEXT LITERAL	C	1		M	1				
	4440	Free text	M		an..512	M		an..8	1	message control information	Output Common Field (See the EDI specification.)
	4440	Free text	C		an..512	C		an..26	1	Message Tag	Output Common Field (See the EDI specification.)
	4440	Free text	C		an..512	X					
	4440	Free text	C		an..512	X					
	4440	Free text	C		an..512	X					
3453		LANGUAGE NAME CODE	C	1	an..3	X					
4447		FREE TEXT FORMAT CODE	C	1	an..3	X					

FTX+NHI+++000ER:1ABC2C20010407092530000001'

		---SEGMENT GROUP 2---	C		9	C		1		
--	--	-----------------------	---	--	---	---	--	---	--	--

RFF:REFERENCE

TAG	COMP	NAME	UN/EDIFACT			NACCS			Item No.	Field name/Setting Value	Special Notes
			S	Rep	FORMA	S	Rep	FORMA			
RFF		REFERENCE	M	1		M	1				
C506		REFERENCE	M	1		M	1				
	1153	Reference code qualifier	M		an..3	M		an..3		ACW	ACW=Reference number to previous message
	1154	Reference identifier	C		an..70	M		an..10	1	Input Message ID	Output Common Field (See the EDI specification.)
	1156	Document line identifier	C		an..6	X					
	1056	Version identifier	C		an..9	X					
	1060	Revision identifier	C		an..6	X					

RFF+ACW:ZYXWV98765'

		---SEGMENT GROUP 4---	C	99999	M	1		
--	--	-----------------------	---	-------	---	---	--	--

ERC:APPLICATION ERROR INFORMATION

TAG	COMP	NAME	UN/EDIFACT			NACCS			Item No.	Field name/Setting Value	Special Notes
			S	Rep	FORMA	S	Rep	FORMA			
ERC		APPLICATION ERROR INFORMATION	M	1		M	1				
C901		APPLICATION ERROR DETAIL	M	1		M	1				
	9321	Application error code	M		an..8	M		an1	1	Used as a dummy	
	1131	Code list identification code	C		an..17	X					
	3055	Code list responsible agency code	C		an..3	X					

ERC+1'

		---SEGMENT GROUP 4---	C	99999	M	1		
--	--	-----------------------	---	-------	---	---	--	--

FTX:FREE TEXT

TAG	COMP	NAME	UN/EDIFACT			NACCS			Item No.	Field name/Setting Value	Special Notes
			S	Rep	FORMA	S	Rep	FORMA			
FTX		FREE TEXT	C	1		M	1				
4451		TEXT SUBJECT CODE QUALIFIER	M	1	an..3	M	1	an..3		AAP	AAP=Response(free text)
4453		FREE TEXT FUNCTION CODE	C	1	an..3	X					
C107		TEXT REFERENCE	C	1		X					
	4441	Free text description code	M		an..17	X					
	1131	Code list identification code	C		an..17	X					
	3055	Code list responsible agency code	C		an..3	X					
C108		TEXT LITERAL	C	1		M	1				
	4440	Free text	M		an..512	M		an..15	2	Process Result Code (Process Result Code)	
	4440	Free text	C		an..512	C		an..15	2	(")	
	4440	Free text	C		an..512	C		an..15	2	(")	
	4440	Free text	C		an..512	C		an..15	2	(")	
	4440	Free text	C		an..512	C		an..15	2	(")	
3453		LANGUAGE NAME CODE	C	1	an..3	X					
4447		FREE TEXT FORMAT CODE	C	1	an..3	X					

FTX+AAP+++A0004-0000-0000'

UNT:MESSAGE TRAILER

TAG	COMP	NAME	UN/EDIFACT			NACCS			Item No.	Field name/Setting Value	Special Notes
			S	Rep	FORMA	S	Rep	FORMA			
UNT		MESSAGE TRAILER	M	1		M	1				
0074		NUMBER OF SEGMENTS IN A MESSAGE	M	1	n..10	M	1	n..10		Number of segments in the message	
0062		MESSAGE REFERENCE NUMBER	M	1	an..14	M	1	an..13		Message reference number	

UNT+7+NACCS12345678'

APERAK:SAMPLE MESSAGE

UNH+ABCDE12345678+APERAK:D:21A:UN:NAC10'
 BGM+963:::*CCMSG++9'
 FTX+NHI+++000ER:1ABC2C20010407092530000001'
 RFF+ACW:ZYXWV98765'
 ERC+1'
 FTX+AAP+++A0004-0000-0000'
 UNT+7+NACCS12345678'

(Table 12-1-12)

Listed below are action codes and syntax error codes used in CONTRL messages used by NACCS.

Action codes (Data element 0083)

Code value	Content
4	There is an error in the pertinent level.
7	There is not an error in the pertinent level.

Syntax error codes (Data element 0085)

Code value	Content
13	No segments.
15	Too many repetitions of segments.
16	Too many elements in the segment.
17	The subset name is invalid.
18	Unidentified error.
28	Control reference number error.
29	Control count error.
39	Too large element length.
40	Too small element length.