

2. Network Configuration

2. Network Configuration

2.1 Outline of Network

The following describes NACCS User Network (its communication protocol being used is "TCP/IP") (See Figure 2.1.1):

- [1] The User network is composed of a User Backbone Network (hereinafter, referred to as the "Backbone Network") and the access lines that connect to access points located on the Backbone Network.
- [2] User(non-Government) connect to the access points located on the Backbone Network.
- [3] Users must use a router provided by NACCS Center to connect to the User Network. The operational condition setting of the router is controlled solely by NACCS Center, and the users cannot change the setting.
- [4] NACCS User Network is logically closed and only NACCS User(non-Government) data is transmitted and received. Only NACCS User can connect to the access points.
- [5] Connection between user system and access points is provided via: a dedicated line or Fiber Optic Broadband.

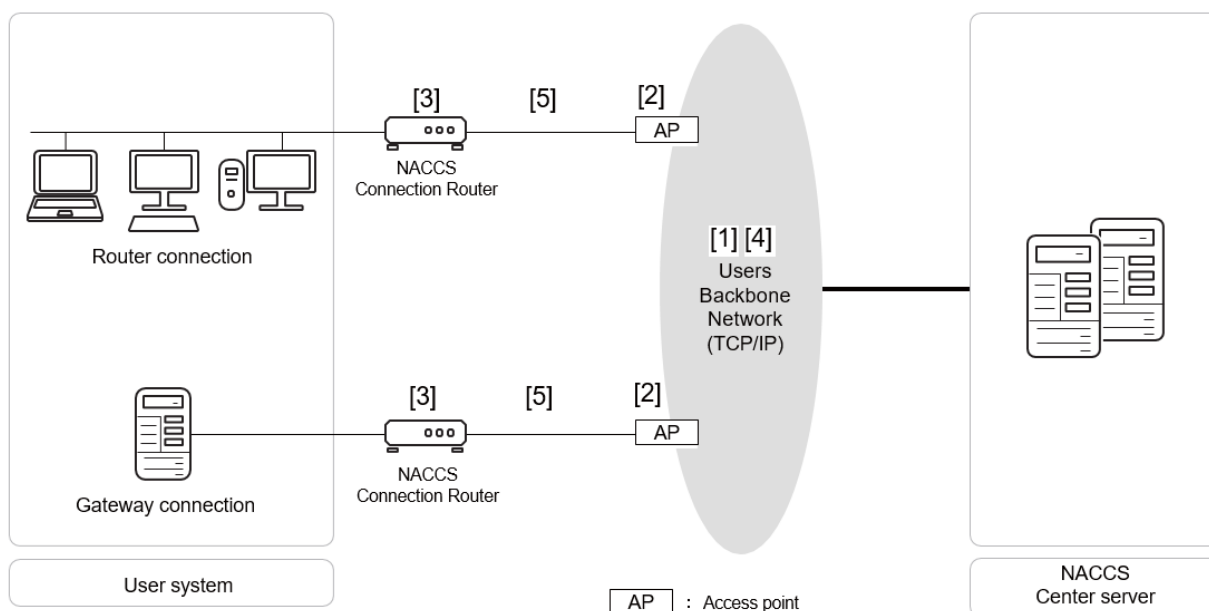


Figure 2.1.1 Outline of User Network

① Read "Guide to Introduce NACCS Communication Line Service (User Access Line)" on NACCS Information for things to note when using new NACCS User Network.