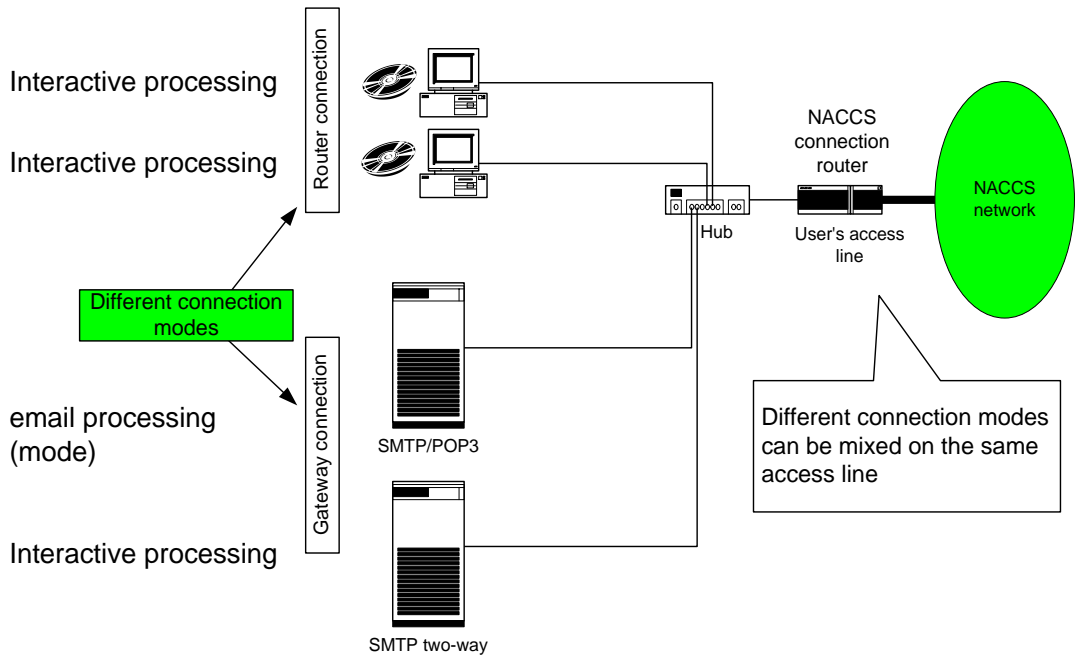


Appendix 2. Concrete Examples of Cases Where Data Processing Modes and Connection Modes Are Mixed

Appendix 2. Concrete Examples of Cases Where Data Processing Modes and Connection Modes Are Mixed

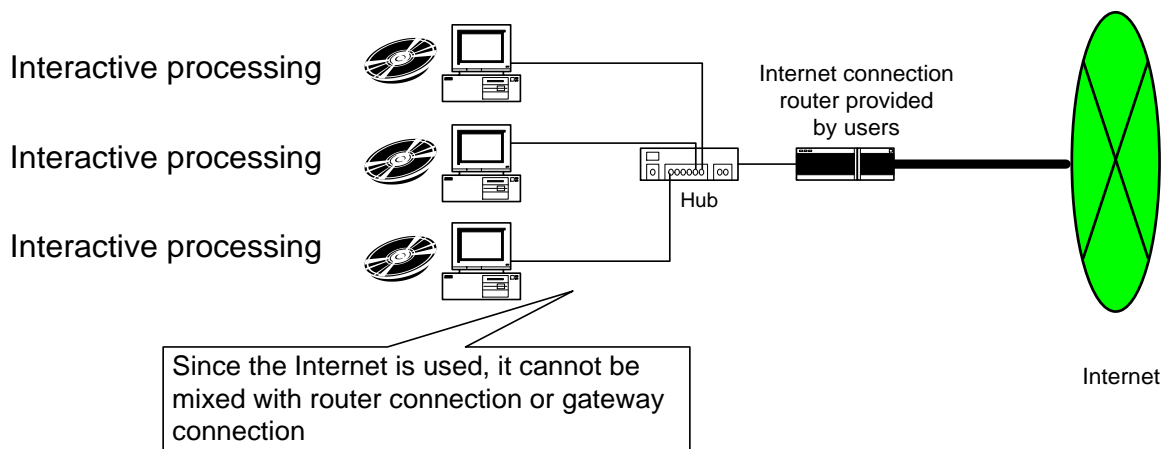
In NACCS, different data processing modes (e-mail style processing mode and interactive processing mode) and different connection modes (peer-to-peer connection, router connection, and gateway connection) can be mixed on the same access line.

Pattern 1: Using different connection modes on the same access line



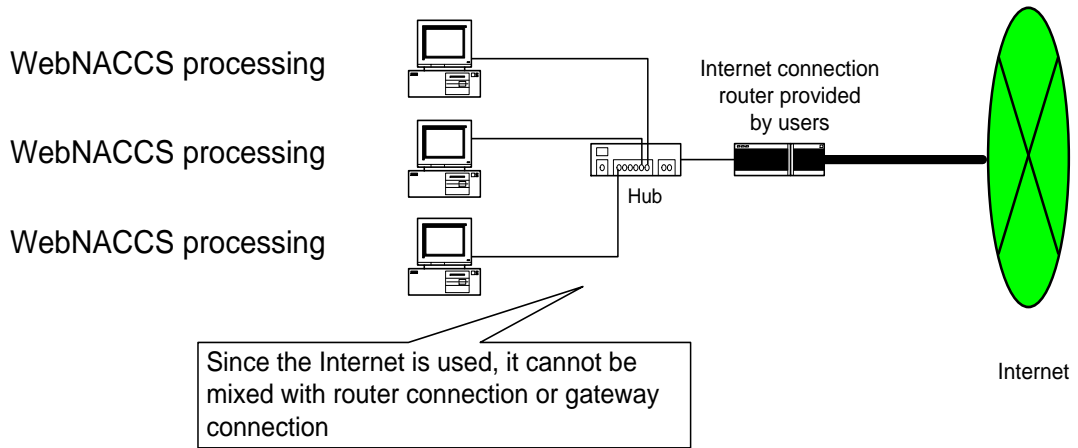
Appendix Figure 2-1 Using 2 Different Data Processing Modes and Different Connection Modes on the Same Access Line

Pattern 2: Using netNACCS



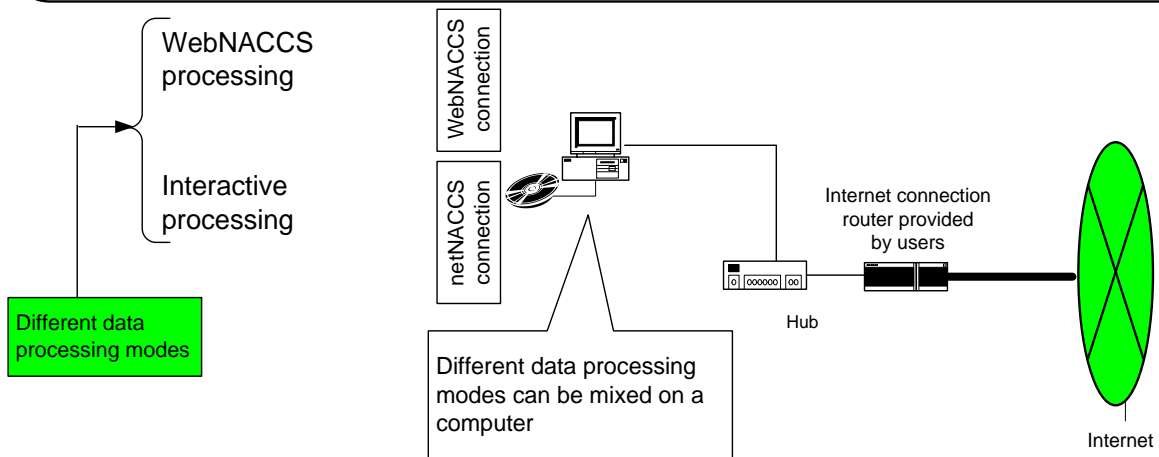
Appendix Figure 2-2 Using netNACCS

Pattern 3: Using WebNACCS



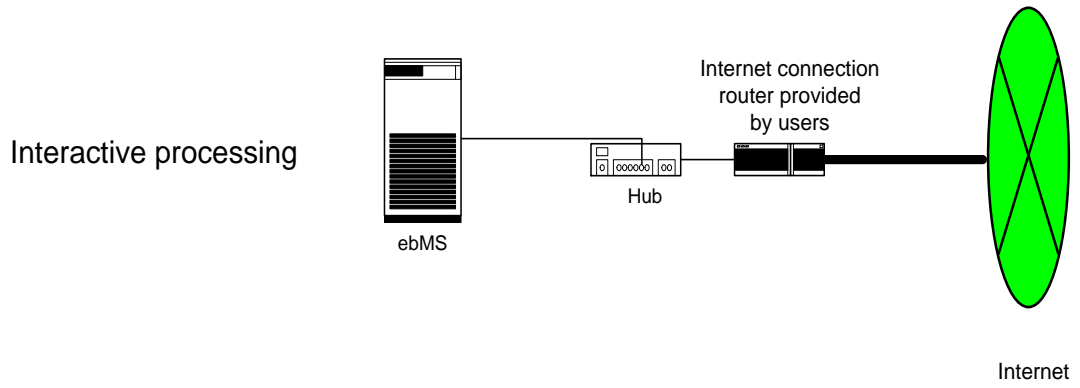
Appendix Figure 2-3 Using WebNACCS

Pattern 4: Using 2 different data processing modes on a computer



Appendix Figure 2-4: Using 2 Different Data Processing Modes on a computer

Pattern 5: Using ebMS



Appendix Figure 2-5 Using ebMS