

## 5 Use of EDIFACT Messages (for Sea Cargo and Arrival/Departure)

### 5.1 Update Manifest Information

#### (1) Correction before Manifest Submission (DMF)

- [1] Done by procedure "Update Manifest Information (Before the Manifest Submission procedure) (CMF01)"
- [2] A single B/L message can be corrected in the case of a single message and a multi message. A multi B/L message can be corrected only in the case of a single message.

Table 14-5-1 Method of Correction before Manifest Submission (DMF)

	Sending by a single message	Sending by a multi message
Correction of single B/L message	O	O
Correction of multi B/L message	O	X

Provided below are examples of the correction of manifest information registered by a multi B/L message using procedure "Manifest Information Registration (MFR)."

#### Example 1) Correction in a single B/L message

##### (1) Key items

- [1] Erroneous B/L information or container information is deleted by procedure "Update Manifest Information (CMF01)." (Message function : 1 = Cancellation)
- [2] Correct B/L information or container information is registered by procedure "Manifest Information Registration (MFR)." (Possible for a single message and a multi message)  
(Message function: 9 = Original)

(See Figure 14-5-1.)

##### (2) Items other than keys

- [1] Correct B/L information or container information is corrected by procedure "Update Manifest Information (CMF01)." (Possible for a single message and a multi message)  
(Message function: 5 = Replace)

(See Figure 14-5-2.)

#### Example 2) Correction in a multi B/L message

##### (1) Key item

- [1] All B/L information and container information registered by procedure "Manifest Information Registration (MFR)" are deleted by procedure "Update Manifest Information (CMF01)." (Message function : 1 = Cancellation)
- [2] Correct B/L information or container information is registered by procedure "Manifest Information Registration (MFR)." (Possible only for a single message)  
(Message function: 9 = Original)

(See Figure 14-5-3.)

##### (2) Items other than keys

- [1] All B/L information and container information registered by procedure "Manifest Information Registration (MFR)" are replaced with correct information by procedure "Update Manifest Information (CMF01)." (Possible only for a single message)  
(Message function: 5 = Replace)

(See Figure 14-5-4.)

(Note) Key items of manifest: Vessel code, carrier code, port of discharge code, port of discharge suffix, container operator code, B/L Number, and container number

The table below summarizes correction before Manifest Submission (DMF).

Table 14-5-2 Possibility of Correction before Manifest Submission (DMF) Depending on Presence/Absence of Key Items

Key item	Sending by a single message		Sending by a multi message	
	Present	Absent	Present	Absent
Correction of single B/L message	O	O	O	O
Correction of multi B/L message	O	O	X	X

(2) Correction after Manifest Submission (DMF)

- [1] Done by procedure " Update Manifest Information (After the Manifest Submission procedure) (CMF02)"
- [2] A single B/L message can be corrected in the case of a single message and a multi message.
- [3] A multi B/L message cannot be corrected in the case of a single message or multi messages.

Table 14-5-3 Method of Correction after Manifest Submission (DMF)

	Sending by a single message	Sending by a multi message
Correction of single B/L message	O	O
Correction of multi B/L message	X	X

Provided below are examples of the correction of manifest information registered by a multi B/L message using procedure "Manifest Information Registration (MFR)."

Example 1) Correction in a single B/L message

(1) Key item

- [1] Erroneous B/L information or container information is deleted by procedure " Update Manifest Information (After the Manifest Submission procedure) (CMF02)." (Message function: 1= Cancellation)
- [2] Correct B/L information or container information is registered by procedure " Update Manifest Information (After the Manifest Submission procedure) (CMF02)." (Possible for a single message and a multi message) (Message function: 9 = Original)

(See Figure 14-5-1.)

(2) Items other than keys

- [1] Correct B/L information or container information is corrected by procedure " Update Manifest Information (After the Manifest Submission procedure) (CMF02)." (Possible for a single message and a multi message) (Message function: 5 = Replace)

(See Figure 14-5-2.)

The table below summarizes correction after Manifest Submission (DMF).

Table 14-5-4 Possibility of Correction after Manifest Submission (DMF) Depending on Presence/Absence of Key Items

Key item	Sending by a single message		Sending by a multi message	
	Present	Absent	Present	Absent
Correction of single B/L message	O	O	O	O
Correction of multi B/L message	X	X	X	X

## 5.2 Vessel Operation Information Registration (VTX01) and correction

### (1) Vessel Operation Information Registration (VTX01)

Procedure "Vessel Operation Information Registration (VTX01)" uses the CUSREP message.

Each CUSREP message stores the information of one voyage.

(See Figure 14-5-5.)

(Note) In NACCS, "one voyage" means the period from the arrival to a domestic port (or external qualification change) to the exit from a domestic port toward a foreign port (or internal qualification change).

### (2) Correction of vessel operation information (correction of all information)

The vessel operation information registered in the system is corrected to the correct vessel operation information by procedure "Vessel Operation Information Registration (VTX01)." As part of the correction of all information, domestic ports of call can be added.

(See Figure 14-5-6.)

### (3) Correction of vessel operation information (for one port)

Correction of one port can be made with or without restriction on vessel operation information.

#### [1] Without restriction on vessel operation information

In this method, correction is made for the information of one port registered by procedure "Vessel Operation Information Registration (VTX01)", the common information, and information of foreign ports of call.

#### [2] With restriction on vessel operation information

In this method, correction is made for the information of one port registered by procedure "Vessel Operation Information Registration (VTX01)." (Common information and foreign ports of call cannot be corrected.)

(See Figure 14-5-7.)

### **5.3 Registration and correction of ACL Information Registration (ACL)**

Procedure "ACL Information Registration (ACL)" includes procedure "ACL Information Registration (For Container Vessels) (ACL01)" and procedure "ACL Information Registration (For Conventional Vessels/Car Carriers) (ACL02)." Procedure "ACL Information Registration (For Container Vessels) (ACL01)" can register and change the container vessel information, the information on marks and numbers and the goods description.

Procedure "ACL Information Registration (For Conventional Vessels/Car Carriers) (ACL02)" can register and change the conventional vessels/car carriers information, the information on marks and numbers, the goods description, the chassis No., and so forth.

(See Figure 14-5-8.)

For the relationship between procedure codes and output information codes for different procedures, see the list of subset names of procedures supported by EDIFACT (Appendix 14-4).

#### 5.4 Message structures for Unified Application Before Vessel Arrival (VPX), Vessel Entry Notice (VIX), and Vessel Departure Notice (VOX)

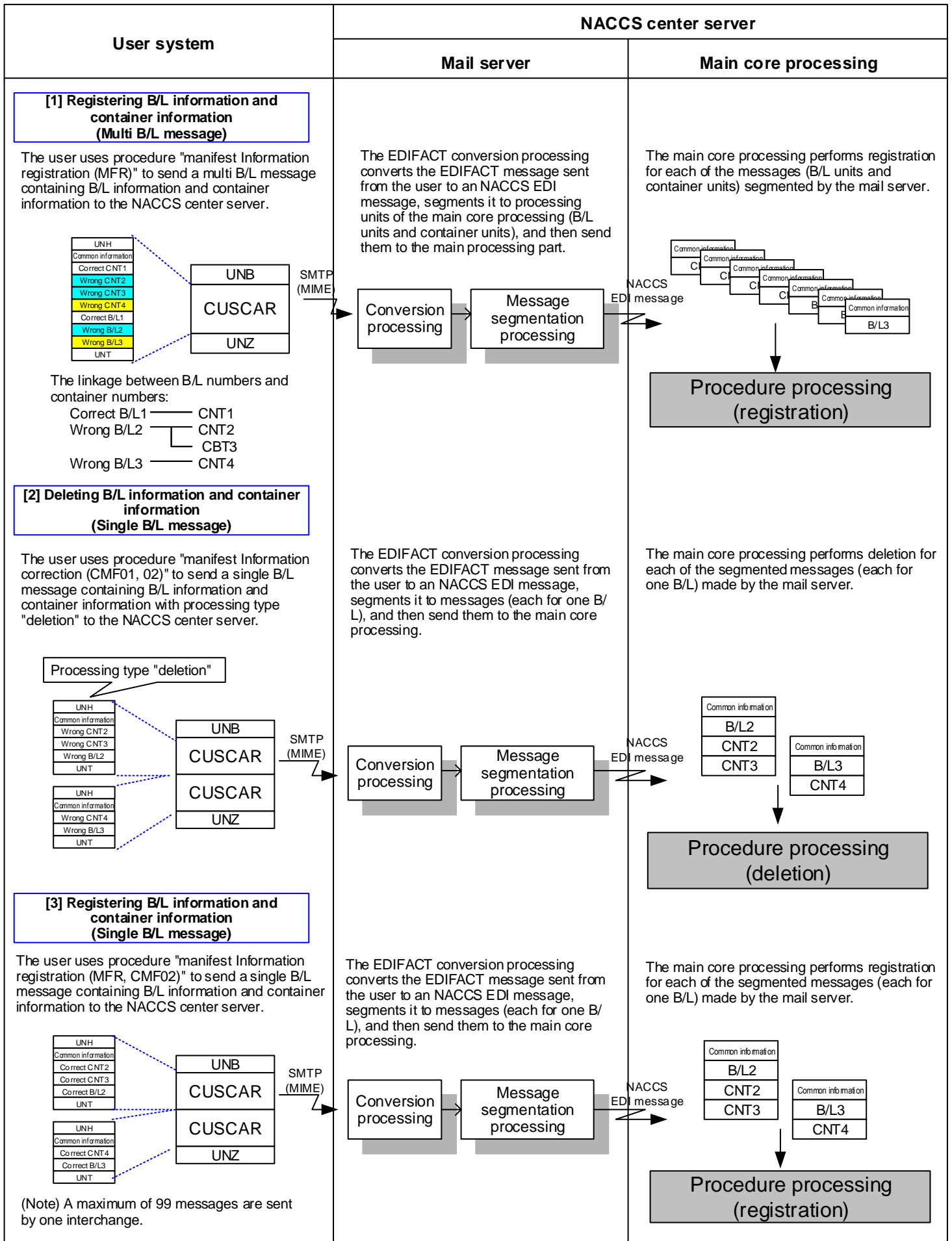
The table below shows the difference between EDIFACT messages of procedures "Unified Application Before Vessel Arrival (VPX)", "Vessel Entry Notice (VIX)", and "Vessel Departure Notice (VOX)."

Table 14-5-5 Difference of Message Structures between VPX, VIX, and VOX

Information Name	Vessel Entrance Notice	Departure information	Entry Report	Quarantine notice	Declaration of health	Advance notice	Route information	Report on the security information of ship	Discharged cargo information	Cargo • Dangerous goods
Unified Application Before Vessel Arrival (VPX)	-	-	0	0	-	0	0	0	0	0
Vessel Entry Notice (VIX)	0	-	-	-	0	-	-	-	-	-
Vessel Departure Notice (VOX)	-	0	-	-	-	0	0	-	-	0
Mapping position	SG8	SG8	SG8	SG8	SG8	SG8	SG8	SG8	SG8	SG8
Identifier	20	20	20	QIF	MDH	HMI	MTI	CGI	LDC	DGI

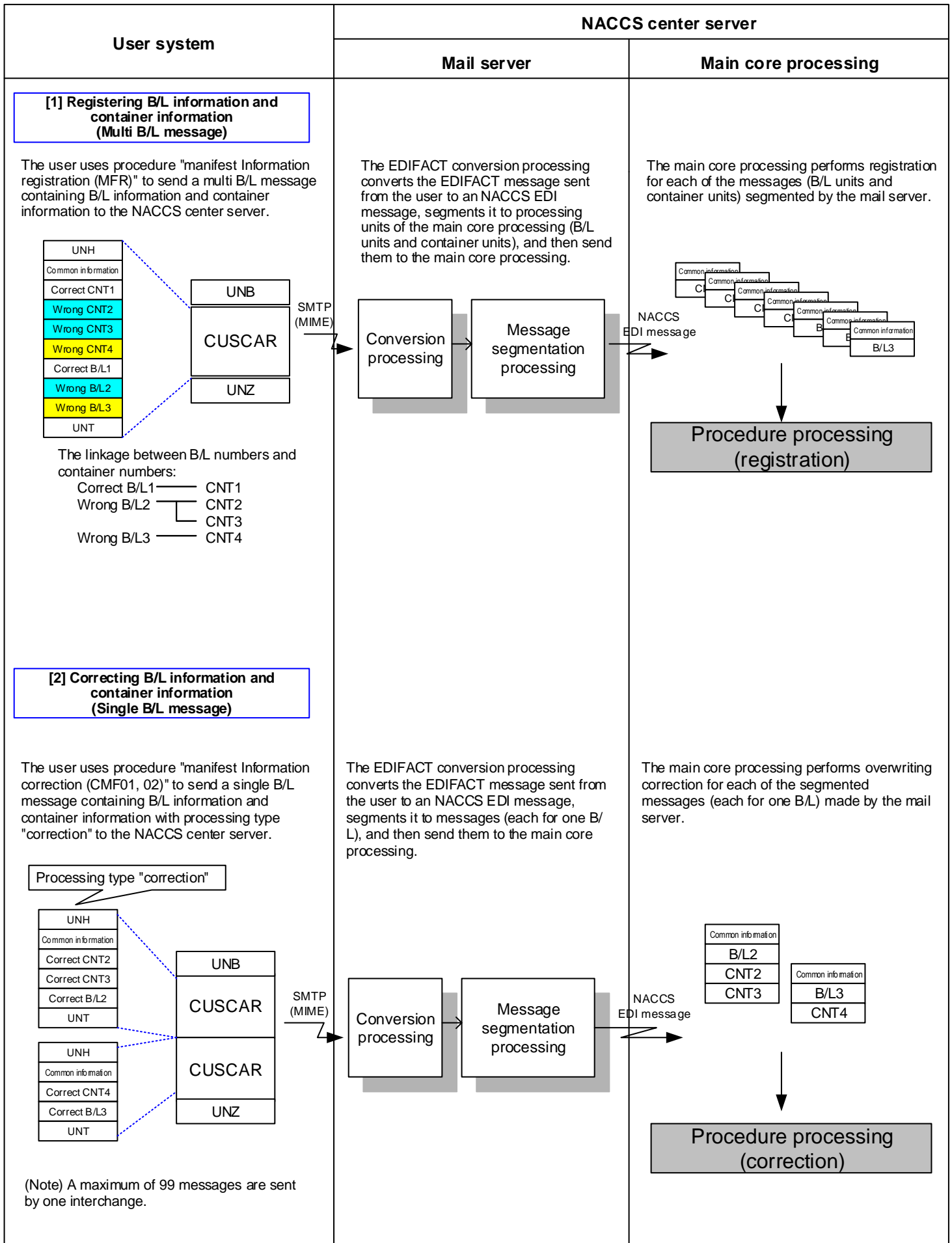
(Figure 14-5-1)

**Cargo manifest registered by a multi B/L message.  
Correction in a single B/L message (key item)**



(Figure 14-5-2)

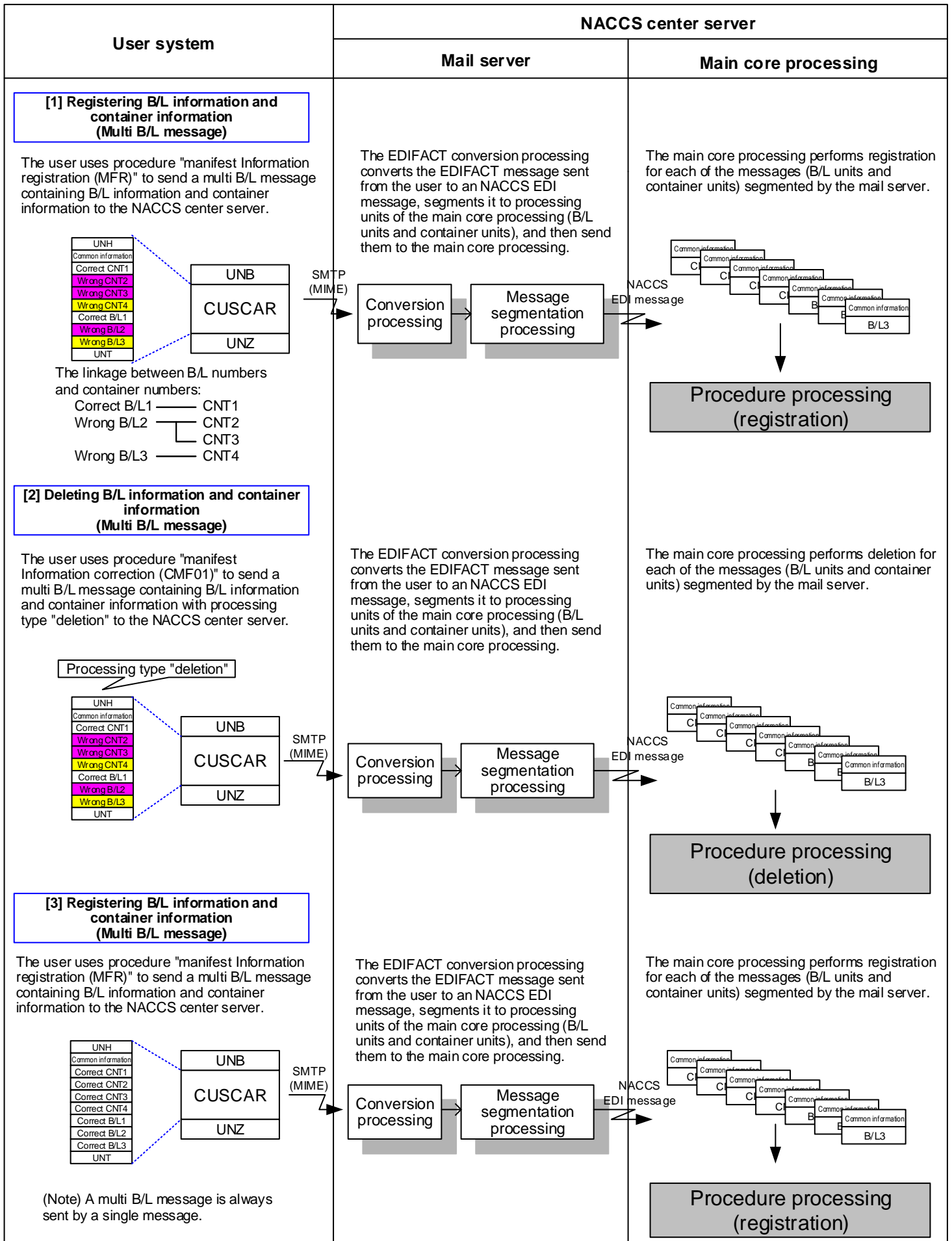
**Cargo manifest registered by a multi B/L message.  
Correction in a single B/L message (not a key item)**





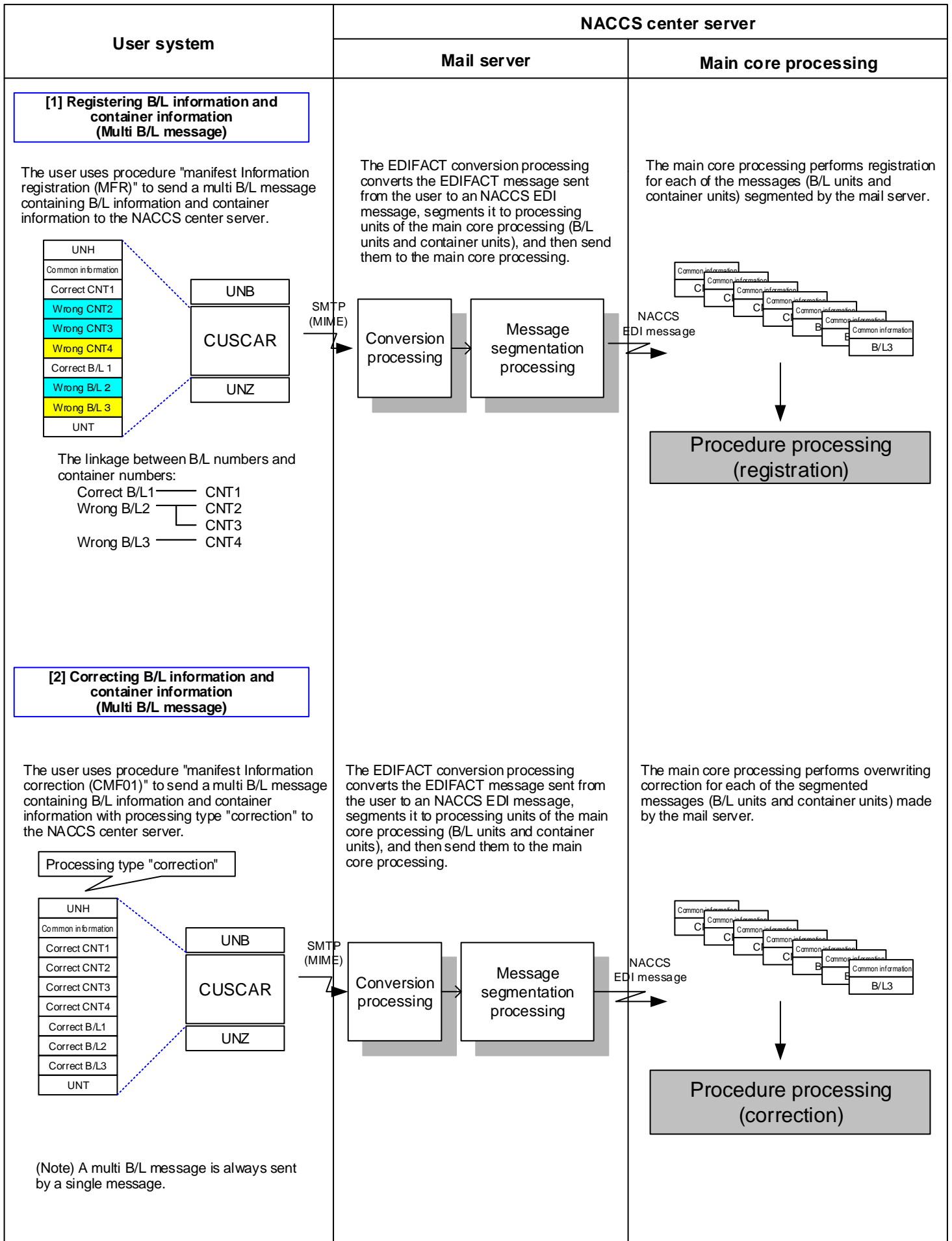
(Figure 14-5-3)

**Cargo manifest registered by a multi B/L message.  
Correction in a multi B/L message (key item)**



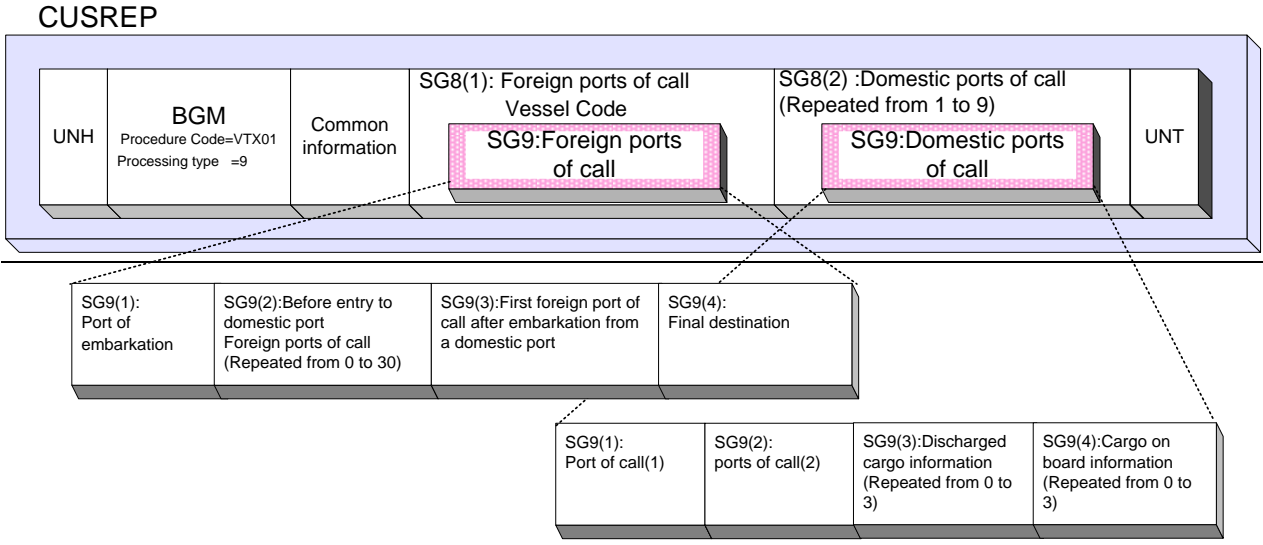
(Figure 14-5-4)

**Cargo manifest registered by a multi B/L message.  
Correction in a multi B/L message (not a key item)**



(Figure 14-5-5)

EDIFACT message of vessel operation information registration



The figure above illustrates the structure of EDIFACT messages of procedure "vessel operation information registration (VTX01)." Foreign ports of call are registered in SG8 (1), and domestic ports of call are registered in SG8 (2) (maximum of 9 records).

(Figure 14-5-6)

Correction of vessel operation information

Information registered by procedure "vessel operation information registration (VTX01)" is corrected in the procedure below.

The vessel code cannot be changed. (To correct the vessel code, you need to register the vessel operation information again.)

[1] Vessel operation information registration

Register vessel operation information by "vessel operation information registration (VTX01)" procedure. The common information is assumed to have an error.

UNH	<b>BGM</b> Procedure code =VTX01 Processing type =9	(Error) Common information	SG8(1) :Foreign ports of call Vessel Code SG9:Foreign ports of call	SG8(2): Domestic ports of call(Repeated from 1 to 9) SG9:Domestic ports of call	UNT
-----	---	-------------------------------	---	--	-----



[2] Correction of vessel operation information

Correct the vessel operation information by "vessel operation information registration (VTX01)" procedure. Correct the "common information" here.

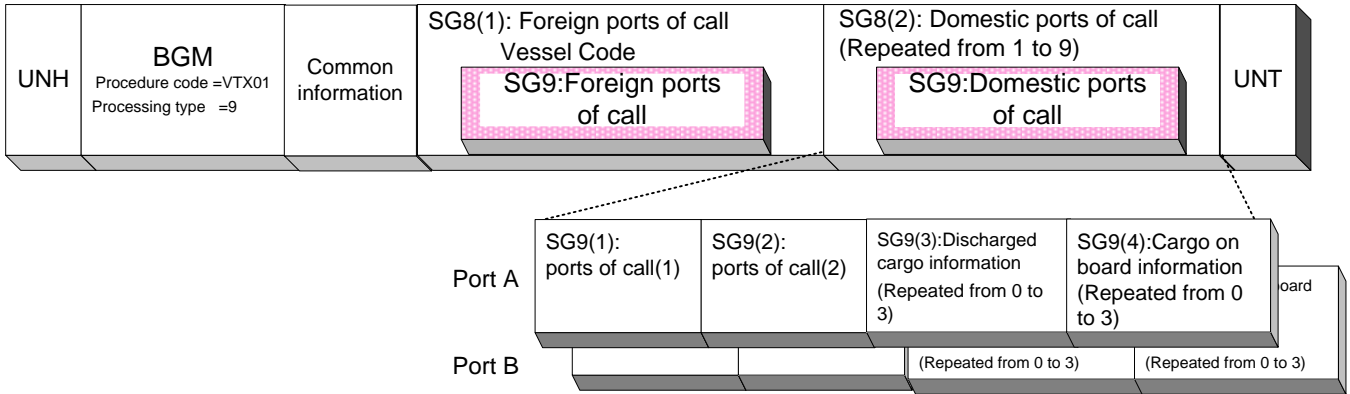
UNH	<b>BGM</b> Procedure code=VTX01 Processing type =5	(Correct) Common information	SG8(1): Foreign ports of call Vessel Code SG9:Foreign ports of call	SG8(2): Domestic ports of call (Repeated from 1 to 9) SG9:Domestic ports of call	UNT
-----	--	---------------------------------	---	---	-----

To add a domestic port of call to the information registered by procedure "vessel operation information registration (VTX01)", follow the procedure illustrated below. (Maximum of 9 domestic ports of call can be registered.)

[1] Vessel operation information registration

Register vessel operation information by "vessel operation information registration (VTX01)" procedure.

Port A is added to the domestic port of call (1) and port B is added to the domestic port of call (2).

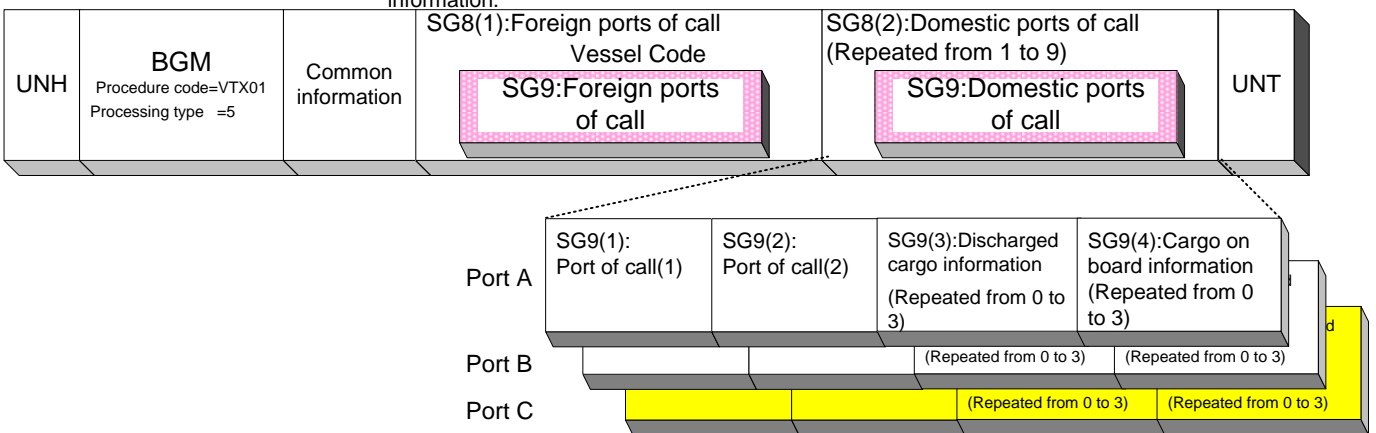


[2] Addition of a domestic port of call

Add a domestic port of call by "vessel operation information registration (VTX01)" procedure.

Add port C as a domestic port of call (3).

\* Resend the common information, foreign ports of call, port A information, and port B information.



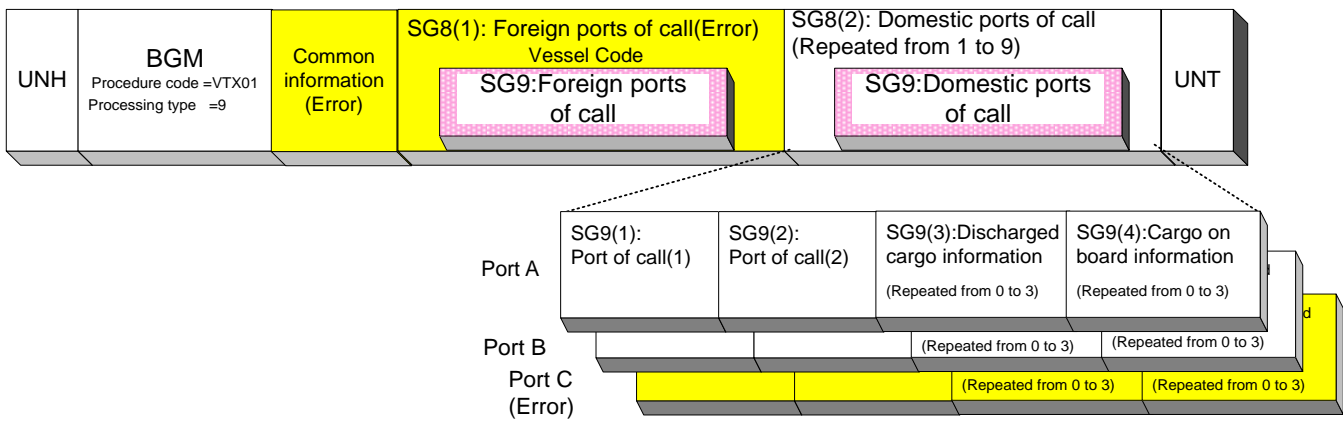
(Figure 14-5-7)

Correction of vessel operation information (for one port)

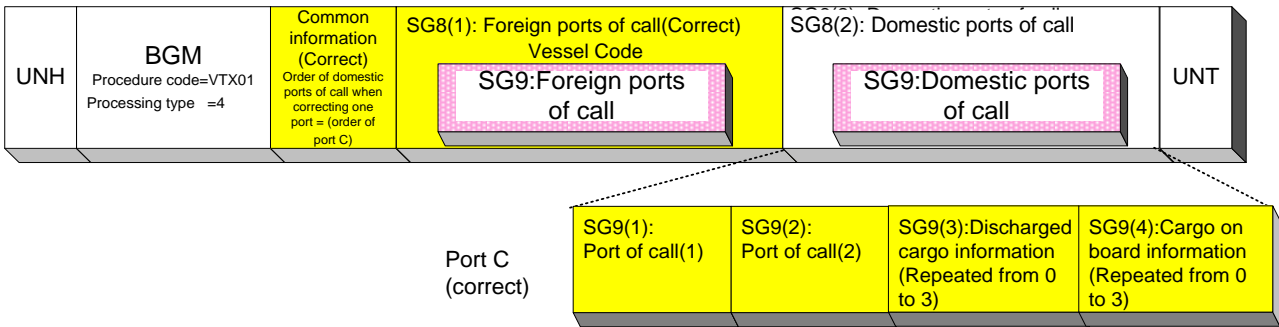
[1] Without restriction on vessel operation information

Follow the procedure below to correct the common information, foreign ports of call, and port C among domestic ports of call (3) registered by procedure "vessel operation information registration (VTX01)."

(When registered)



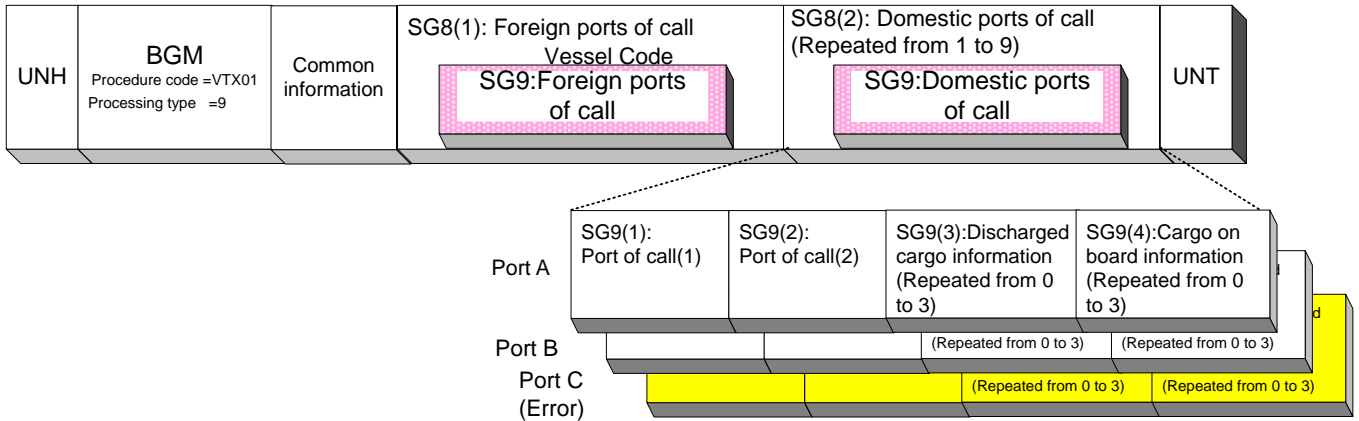
(When corrected) With a single port correction by processing type = 4 (without restriction on vessel operation information), common information, foreign ports of call, and a domestic port of call (one item) can be corrected.



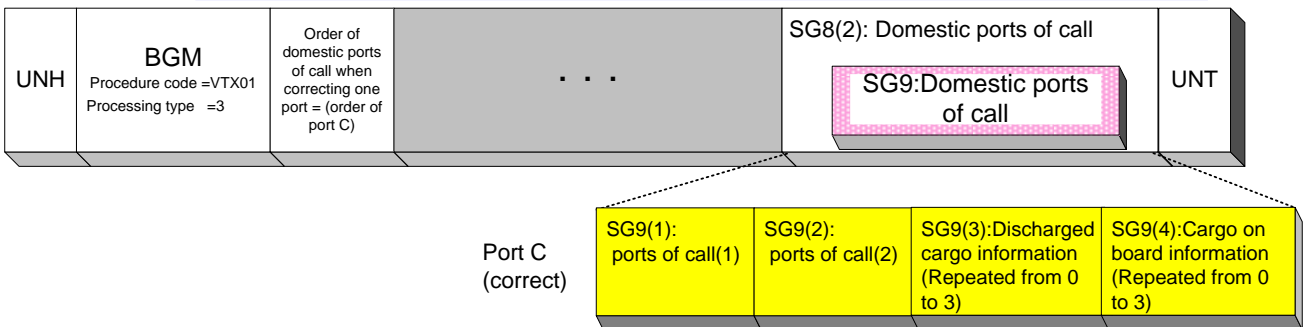
[2] With restriction on vessel operation information

Follow the procedure below to correct port C among domestic ports of call (3) registered by procedure "vessel operation information registration (VTX01)."

(When registered)



(When corrected) With a single port correction by processing type =3 (without restriction on vessel operation information), common information, foreign ports of call, and a domestic port of call (one item) can be corrected.



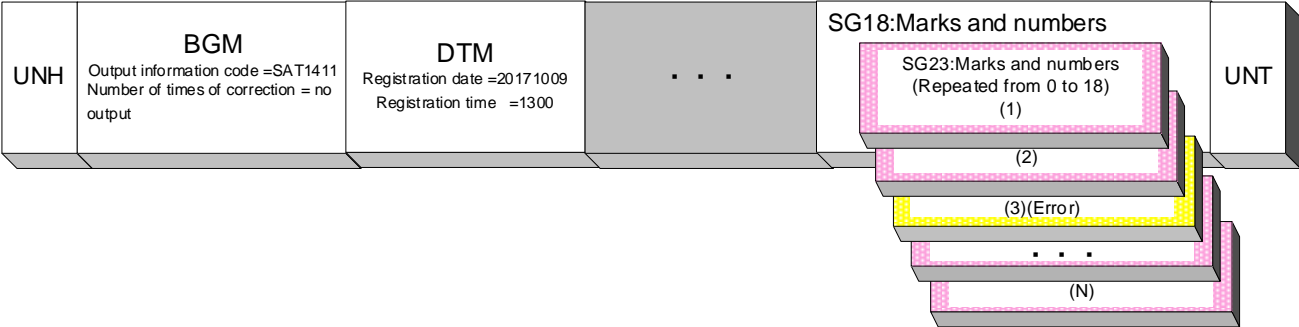
(Figure 14-5-8)

Correction of ACL information

When correction is made in marks and numbers registered by "ACL information registration (for container vessels) (ACL01)" and "ACL information registration (for conventional vessels and automobile vessels) (ACL02)", they are output to EDIFACT as shown below.

[1] Registration of marks and numbers

Register marks and numbers by "ACL information registration (for container vessel) (ACL01)" procedure. (3) of marks and numbers is assumed to have an error.



[2] Correction of marks and numbers

Correct marks and numbers (3) by "ACL information registration (for container vessel) (ACL01)" procedure.

