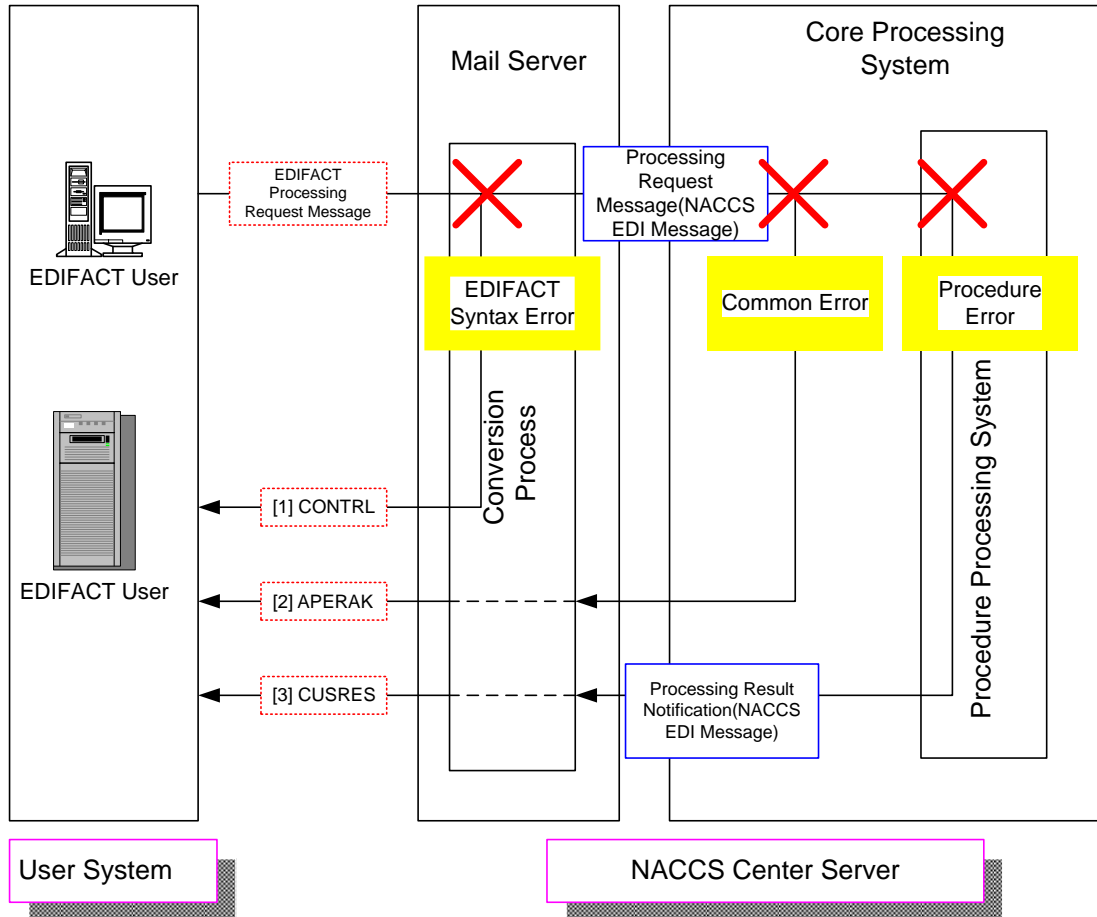


2.4 Error Handling for EDIFACT Messages

In NACCS, when an error occurs within a EDIFACT message (other than PADIS EDIFACT format) sent from a user, an error message will be created using 3 types of EDIFACT message depending on types of errors. In addition, for a message which is sent in form of multiple-message, error results will be returned for each stored EDIFACT message.

The following shows EDIFACT error messages output from the NACCS.



2.4.1 CONTRL Message

2.4.1.1 Purpose for use

For "Confirmation of receipt" in response to a receipt confirmation request of a EDIFACT message sent from user, and notification of syntax errors when there is a syntax error in a EDIFACT message, CONTRL messages should be used.

[1] Confirmation of receipt: It is up to user's selection whether to use CONTRL messages for confirmation of receipt, and the message is output only when "1" is specified in the "Receipt confirmation request" column in UNB segment of an EDIFACT message.

[2] Notification of error: When there is a syntax error in an EDIFACT message sent from user, the message will be output regardless of designation set by user (UNB receipt confirmation request). The following shows major cases of syntax errors:

- Error in message format
- Error in exchange protocol

2.4.1.2 Unit of creation

One CONTRL message is created for one EDIFACT message (one exchange) from user.

2.4.1.3 Segment structure

2.4.1.3.1 When function groups are not used

When function groups (UNG through UNE) are not used in a processing request message sent from user, Segment Group 1 for CONTRL messages should be used.

2.4.1.3.2 When function groups are used

When function groups (UNG through UNE) are used in a processing request message sent from user, Segment Group 3 for CONTRL messages should be used.

2.4.2 APERAK Message

2.4.2.1 Purpose for use

This is used for notification of common error which is output when a processing request message based on an EDIFACT message sent by user becomes an error before being processed at the core processing system. The following shows major cases of "common error."

- Case where there is no user code.
- Case where the user is unauthorized for this service.

2.4.2.2 Unit of creation

One APERAK is created for one common error created at the core processing system.

2.4.3 CUSRES Message

2.4.3.1 Purpose for use

This is used for notification of procedure error which is output when a processing request message based on an EDIFACT message sent by user becomes error during process at the core processing system of the NACCS Center server.

2.4.3.2 Unit of creation

One CUSRES is created for one procedure error created at the core processing system.

2.4.4 Mapping Table

For CONTRL messages, refer to "Appendix Table 14.2.6 CONTRL Segment Table (with function group)", "Appendix Table 14.2.7 CONTRL Mapping Table (with function group)", "Appendix Table 14.2.8 CONTRL Segment Table (without function group)", "Appendix Table 14.2.9 CONTR Mapping Table (with function group)."

For APERAK messages, refer to "Appendix Table 14.2.10 APERAK Segment Table" and "Appendix Table 14.2.11 APERAK Mapping Table."

For CUSRES messages, refer to Mapping Tables for each procedure.

2.4.5 Code List

For action codes and syntax error codes used in CONTRL messages, refer to "Appendix Table 14.2.12 CONTRL Error Code."

Table 14-2-6 CONTRL Segment Table (with functional group)

<CONTRL(Ver2.0)/with functional group>

Tag	Name	UN/EDIFACT		NACCS		Field name (reference)
		S	R	S	R	
UNH	Message header	M	1	M	1	Message reference number
UCI	Interchange response	M	1	M	1	Interchange control reference number User code Action code Syntax error code Error segment tag
Segment group 1		C	999999	X		
UCM	Message response	M	1	X		
Segment group 2		C	999	X		
UCS	Segment error indication	M	1	X		
UCD	Data element error indication	C	99	X		
Segment group 3		C	999999	C	99	Functional group response group
UCF	Group response	M	1	M	1	User code Functional group reference number
Segment group 4		C	999999	C	99	Message response group
UCM	Message response	M	1	M	1	Message reference number Subset name Action code
Segment group 5		C	999	C	1	Segment response group
UCS	Segment error indication	M	1	M	1	Segment position in the message Syntax error code
UCD	Data element error indication	C	99	C	1	Syntax error code Error data element position Error component data element position
UNT	Message trailer	M	1	M	1	Number of segments in the message Message reference number

Table 14-2-7 CONTRL Mapping Table (with functional group)

CONTRL/Ver2.0/with functional group

UNH:MESSAGE HEADER

TAG	COMP	NAME	UN/EDIFACT		NACCS		Item No	Field name/Setting Value	Special Notes
			S	FORMA	S	FORM			
UNH		MESSAGE HEADER	M	1	M	1			
0062		MESSAGE REFERENCE NUMBER	M	an..14	M	an..13		Message reference number	
S009		MESSAGE IDENTIFIER	M		M				
	0065	Message type	M	an..6	M	an..6		CONTRL	
	0052	Message version number	M	an..3	M	an..3		2	
	0054	Message release number	M	an..3	M	an..3		1	
	0051	Controlling agency	M	an..2	M	an..2		UN	
	0057	Association assigned code	C	an..6	X				
0068		COMMON ACCESS REFERENCE	C	an..35	X				
S010		STATUS OF THE TRANSFER	C		X				
	0070	Sequence of transfers	M	n..2	X				
	0073	First and last transfer	C	a1	X				

UNH+000000000001+CONTRL:2:1:UN'

UCI:INTERCHANGE RESPONSE

TAG	COMP	NAME	UN/EDIFACT		NACCS		Item No	Field name/Setting Value	Special Notes
			S	FORM T	S	FORM AT			
UCI		INTERCHANGE RESPONSE	M	1	M	1			
0020		INTERCHANGE CONTROL REFERENCE	M	an..14	M	an..14		Interchange control reference number	Set the UNB-0020 value of the processing request message.
S002		INTERCHANGE SENDER	M		M				
	0004	Sender identification	M	an..35	M	an..5		User code	Set the UNB S002-0004 value of the processing request message.
	0007	Identification code qualifier	C	an..4	X				
	0008	Address for reverse routing	C	an..14	X				
S003		INTERCHANGE RECIPIENT	M		M				
	0010	Recipient identification	M	an..35	M	an..5		NACCS	[NACCS]
	0007	Identification code qualifier	C	an..4	X				
	0014	Address for reverse routing	C	an..14	X				
0083		ACTION, CODED	M	an..3	M	an..3		Action code	
0085		SYNTAX ERROR, CODED	C	an..3	C	an..3		Syntax error code	
0013		SERVICE SEGMENT TAG, CODED	C	a3	C	a3		Error segment tag	
S011		DATA ELEMENT IDENTIFICATION	C		X				
	0098	Erroneous data element position in segment	M	n..3	X				
	0104	Erroneous component data element position	C	n..3	X				

UCI+NACCS123456789+1ABBC+NACCS+7'

		---SEGMENT GROUP 3---	C	999999	C	99		
--	--	-----------------------	---	--------	---	----	--	--

UCF:GROUP RESPONSE

TAG	COMP	NAME	UN/EDIFACT		NACCS		Item No	Field name/Setting Value	Special Notes
			S	FORM T	S	FORM AT			
UCF		GROUP RESPONSE	M	1	M	1			
0048		FUNCTIONAL GROUP REFERENCE NUMBER	M	an..14	M	an..14		Functional group reference number	Set the UNG-0020 value of the processing request message.
S006		APPLICATION SENDER'S IDENTIFICATION	M		M				
	0040	Sender identification	M	an..35	M	an..5		User code	Set the UNB S006-0040 value of the processing request message.
	0007	Sender identification qualifier	C	an..4	X				
S007		APPLICATION RECIPIENT'S IDENTIFICATION	M		M				
	0044	Recipient's identification	M	an..35	M	an..5		NACCS	[NACCS]
	0007	Recipient's identification qualifier	C	an..4	X				
0083		ACTION, CODED	M	an..3	M	an..3		Action code	
0085		SYNTAX ERROR, CODED	C	an..3	X				
0013		SERVICE SEGMENT TAG, CODED	C	a3	X				
S011		DATA ELEMENT IDENTIFICATION	C		X				
	0098	Erroneous data element position in segment	M	n..3	X				
	0104	Erroneous component data element position	C	n..3	X				

UCF+NACCS987654321+1ABBC+NACCS+7'

		---SEGMENT GROUP 4---	C	999999	C	99		
--	--	-----------------------	---	--------	---	----	--	--

UCM:MESSAGE RESPONSE

TAG	COMP	NAME	UN/EDIFACT		NACCS		Item No	Field name/Setting Value	Special Notes
			S	FORM T	S	FORM AT			
UCM		MESSAGE RESPONSE	M	1	M	1			
0062		MESSAGE REFERENCE NUMBER	M	an..14	M	an..14		Message reference number	Set the UNH 0062 value of the processing request message.
S009		MESSAGE IDENTIFIER	M		M				
	0065	Message type	M	an..6	M	an..6		Subset name	Set the UNH S009-0065 value of the processing request message.
	0052	Message version number	M	an..3	M	an..3		D	
	0054	Message release number	M	an..3	M	an..3		Message version	Set the message version corresponding to the subset.
	0051	Controlling agency	M	an..2	M	an..2		UN	
	0057	Association assigned code	C	an..6	M	an..6		NAC10	[NAC10]
0083		ACTION, CODED	M	an..3	M	an..3		Action code	
0085		SYNTAX ERROR, CODED	C	an..3	X				
0013		SERVICE SEGMENT TAG, CODED	C	a3	X				
S011		DATA ELEMENT IDENTIFICATION	C		X				
	0098	Erroneous data element position in segment	M	n..3	X				
	0104	Erroneous component data element position	C	n..3	X				

UCM+NACCS123456789+VBX110:D:98B:UN:NAC10+4'

		---SEGMENT GROUP 5---	C	999	C	1		
--	--	-----------------------	---	-----	---	---	--	--

UCS:SEGMENT ERROR INDICATION

TAG	COMP	NAME	UN/EDIFACT		NACCS		Item No	Field name/Setting Value	Special Notes
			S	FORMAT	S	FORMAT			
UCS		SEGMENT ERROR INDICATION	M	1	M	1			
009		SEGMENT POSITION IN MESSAGE	M	n..6	M	n..6		Segment position	
0085		SYNTAX ERROR, CODED	C	an..3	C	an..3		Syntax error code	

UCS+7'

		---SEGMENT GROUP 5---	C	999	C	1		
--	--	-----------------------	---	-----	---	---	--	--

UCD:DATA ELEMENT ERROR INDICATION

TAG	COMP	NAME	UN/EDIFACT		NACCS		Item No	Field name/Setting Value	Special Notes
			S	FORMAT	S	FORMAT			
UCD		DATA ELEMENT ERROR INDICATION	C	99	C	1			
	0085	SYNTAX ERROR, CODED	M	an..3	M	an..3		Syntax error code	
S011		DATA ELEMENT IDENTIFICATION	M		M				
	0098	Erroneous data element position in segment	M	n..3	M	n..3		Error data element position	
	0104	Erroneous component data element position	C	n..3	C	n..3		Error component data element position	

UCD+12+3:2'

UNT:MESSAGE TRAILER

TAG	COMP	NAME	UN/EDIFACT		NACCS		Item No	Field name/Setting Value	Special Notes
			S	FORM T	S	FORM AT			
UNT		MESSAGE TRAILER	M	1	M	1			
0074		NUMBER OF SEGMENTS IN THE MESSAGE	M	n..6	M	n..6		Number of segments in the message	
0062		MESSAGE REFERENCE NUMBER	M	an..14	M	an..13		Message reference number	

UNT+7+0000000000001'

CONTRL:SAMPLE MESSAGE

UNH+0000000000001+CONTRL:2:1:UN'
 UCI+NACCS123456789+1ABBC+NACCS+7'
 UCF+NACCS987654321+1ABBC+NACCS+7'
 UCM+NACCS123456789+VBX110:D:98B:UN:NAC10+4'
 UCS+7'
 UCD+12+3:2'
 UNT+7+0000000000001'

Table 14-2-8 CONTRL Segment Table (without functional group)

<CONTRL(Ver2.0) / without functional group>

Tag	Name	UN/EDIFACT		NACCS		Field name (reference)
		S	R	S	R	
UNH	Message header	M	1	M	1	Message reference number
UCI	Interchange response	M	1	M	1	Interchange control reference number User code Action code Syntax error code Error segment tag
Segment group 1		C	999999	C	99	Message response group
UCM	Message response	M	1	M	1	Message reference number Subset name Action code Syntax error code Error segment tag
Segment group 2		C	999	C	1	Segment response group
UCS	Segment error indication	M	1	M	1	Segment position in the message Syntax error code
UCD	Data element error indication	C	99	C	1	Syntax error code Error data element position Error component data element position
Segment group 3		C	999999	X		
UCF	Group response	M	1	X		
Segment group 4		C	999999	X		
UCM	Message response	M	1	X		
Segment group 5		C	999	X		
UCS	Segment error indication	M	1	X		
UCD	Data element error indication	C	99	X		
UNT	Message trailer	M	1	M	1	Number of segments in the message Message reference number

Table 14-2-9 CONTRL Mapping Table (without functional group)

CONTRL (Ver2.0) / without functional group

UNH:MESSAGE HEADER

TAG	COMP	NAME	UN/EDIFACT		NACCS		Item No	Field name/Setting Value	Special Notes
			S	FORMAT	S	FORMAT			
UNH		MESSAGE HEADER	M	1	M	1			
0062		MESSAGE REFERENCE NUMBER	M	an..14	M	an..13		Message reference number	
S009		MESSAGE IDENTIFIER	M		M				
	0065	Message type	M	an..6	M	an..6		CONTRL	
	0052	Message version number	M	an..3	M	an..3	2		
	0054	Message release number	M	an..3	M	an..3	1		
	0051	Controlling agency	M	an..2	M	an..2		UN	
	0057	Association assigned code	C	an..6	X				
0068		COMMON ACCESS REFERENCE	C	an..35	X				
S010		STATUS OF THE TRANSFER	C		X				
	0070	Sequence of transfers	M	n..2	X				
	0073	First and last transfer	C	a1	X				

UNH+0000000000001+CONTRL:2:1:UN'

UCI:INTERCHANGE RESPONSE

TAG	COMP	NAME	UN/EDIFACT		NACCS		Item No	Field name/Setting Value	Special Notes
			S	FORMAT	S	FORMAT			
UCI		INTERCHANGE RESPONSE	M	1	M	1			
0020		INTERCHANGE CONTROL REFERENCE	M	an..14	M	an..14		Interchange control reference number	Set the UNB-0020 value of the processing request message.
S002		INTERCHANGE SENDER	M		M				
	0004	Sender identification	M	an..35	M	an..5	1-5	User code	Set the UNB S002-0004 value of the processing request message.
	0007	Identification code qualifier	C	an..4	X				
	0008	Address for reverse routing	C	an..14	X				
S003		INTERCHANGE RECIPIENT	M		M				
	0010	Recipient identification	M	an..35	M	an..5		NACCS	[NACCS]
	0007	Identification code qualifier	C	an..4	X				
	0014	Address for reverse routing	C	an..14	X				
0083		ACTION, CODED	M	an..3	M	an..3		Action code	
0085		SYNTAX ERROR, CODED	C	an..3	C	an..3		Syntax error code	
0013		SERVICE SEGMENT TAG, CODED	C	a3	C	a3		Error segment tag	
S011		DATA ELEMENT IDENTIFICATION	C		X				
	0098	Erroneous data element position in segment	M	n..3	X				
	0104	Erroneous component data element position	C	n..3	X				

UCI+NACCS123456789+1ABBC+NACCS+7'

		---SEGMENT GROUP 1---	C	999999	C	99	
--	--	-----------------------	---	--------	---	----	--

UCM:MESSAGE RESPONSE

TAG	COMP	NAME	UN/EDIFACT		NACCS		Item No	Field name/Setting Value	Special Notes
			S	FORMAT	S	FORMAT			
UCM		MESSAGE RESPONSE	M	1	M	1			
0062		MESSAGE REFERENCE NUMBER	M	an..14	M	an..14		Message reference number	Set the UNH 0062 value of the processing request message.
S009		MESSAGE IDENTIFIER	M		M				
	0065	Message type	M	an..6	M	an..6		Subset name	Set the UNH S009-0065 value of the processing request message.
	0052	Message version number	M	an..3	M	an..3		D	
	0054	Message release number	M	an..3	M	an..3		Message version	Set the message version corresponding to the subset.
	0051	Controlling agency	M	an..2	M	an..2		UN	
	0057	Association assigned code	C	an..6	M	an..6		NAC10	[NAC10]
0083		ACTION, CODED	M	an..3	M	an..3		Action code	
0085		SYNTAX ERROR, CODED	C	an..3	C	an..3		Syntax error code	
0013		SERVICE SEGMENT TAG, CODED	C	a3	C	a3		Error segment tag	
S011		DATA ELEMENT IDENTIFICATION	C		X				
	0098	Erroneous data element position in segment	M	n..3	X				
	0104	Erroneous component data element position	C	n..3	X				

UCM+NACCS123456789+VTX110:D:98B:UN:NAC10+4'

		---SEGMENT GROUP 2---	C	999	C	1	
--	--	-----------------------	---	-----	---	---	--

UCS:SEGMENT ERROR INDICATION

TAG	COMP	NAME	UN/EDIFACT		NACCS		Item No	Field name/Setting Value	Special Notes
			S	FORMAT	S	FORMAT			
UCS		SEGMENT ERROR INDICATION	M	1	M	1			
009		SEGMENT POSITION IN	M	n..6	M	n..6		Segment position	
0085		SYNTAX ERROR, CODED	C	an..3	C	an..3		Syntax error code	

UCS+7'

		---SEGMENT GROUP 2---	C	999	C	1	
--	--	-----------------------	---	-----	---	---	--

UCD:DATA ELEMENT ERROR INDICATION

TAG	COMP	NAME	UN/EDIFACT		NACCS		Item No	Field name/Setting Value	Special Notes
			S	FORMAT	S	FORMAT			
UCD		DATA ELEMENT ERROR INDICATION	C	99	C	1			
	0085	SYNTAX ERROR, CODED	M	an..3	M	an..3		Syntax error code	
S011		DATA ELEMENT IDENTIFICATION	M		M				
	0098	Erroneous data element position in segment	M	n..3	M	n..3		Error data element position	
	0104	Erroneous component data element position	C	n..3	C	n..3		Error component data element position	

UCD+12+3:2'

UNT:MESSAGE TRAILER

TAG	COMP	NAME	UN/EDIFACT		NACCS		Item No	Field name/Setting Value	Special Notes
			S	FORMAT	S	FORMAT			
UNT		MESSAGE TRAILER	M	1	M	1			
0074		NUMBER OF SEGMENTS IN THE MESSAGE	M	n..6	M	n..6		Number of segments in the message	
0062		MESSAGE REFERENCE NUMBER	M	an..14	M	an..13		Message reference number	

UNT+6+0000000000001'

CONTRL:SAMPLE MESSAGE

UNH+0000000000001+CONTRL:2:1:UN'

UCI+NACCS123456789+1ABBC+NACCS+7'

UCM+NACCS123456789+VTX110:D:98B:UN:NAC10+4'

UCS+7'

UCD+12+3:2'

UNT+6+0000000000001'

Table 14-2-10 APERAK Segment Table

NACCS -> EDIFACT

<APERAK(D98B)/Common messages>

Tag	Name	UN/EDIFACT		NACCS		Field name (reference)
		S	R	S	R	
UNH	Message header	M	1	M	1	Message reference number
BGM	Beginning of message	M	1	M	1	1. Output common field (output information code)
DTM	Date/time/period	C	9	X		
FTX	Free text	C	9	M	1	1. Output common field (message control information) 1. Output common field (message tag)
CNT	Control total	C	9	X		
Segment group 1		C	9	C	1	Input message ID
RFF	Reference	M	1	M	1	1. Output common field (input message
DTM	Date/time/period	C	9	X		
Segment group 2		C	9	X		
NAD	Name and address	M	1	X		
CTA	Contact information	C	9	X		
COM	Communication contact	C	9	X		
Segment group 3		C	99999	M	1	Processing result
ERC	Application error information	M	1	M	1	**1 (Used as a dummy)
FTX	Free text	C	1	M	1	2. Processing result code
Segment group 4		C	9	X		
RFF	Reference	M	1	X		
FTX	Free text	C	9	X		
UNT	Message trailer	M	1	M	1	Number of segments in the message Message reference number

Table 14-2-11 APERAK Mapping Table

NACCS ->
EDIFACT

<APERAK(D98B)/Common messages>

UNH:MESSAGE HEADER

TAG	COMP	NAME	UN/EDIFACT		NACCS		Item No.	Field name/Setting Value	Special Notes
			S	FORMAT	S	FORMA			
UNH		MESSAGE HEADER	M	1	M	1			
0062		MESSAGE REFERENCE NUMBER	M	an..14	M	an..13		Message reference number	
S009		MESSAGE IDENTIFIER	M		M				
	0065	Message type	M	an..6	M	an..6		APERAK	
	0052	Message version number	M	an..3	M	an..3		D	
	0054	Message release number	M	an..3	M	an..3		98B	
	0051	Controlling agency	M	an..2	M	an..2		UN	
	0057	Association assigned code	C	an..6	M	an..6		NAC10	[NAC10]
0068		COMMON ACCESS REFERENCE	C	an..35	X				
S010		STATUS OF THE TRANSFER	C		X				
	0070	Sequence of transfers	M	n..2	X				
	0073	First and last transfer	C	a1	X				

UNH+ABCDE12345678+APERAK:D:98B:UN:NAC10'

BGM:BEGINNING OF MESSAGE

TAG	COMP	NAME	UN/EDIFACT		NACCS		Item No.	Field name/Setting Value	Special Notes
			S	FORMAT	S	FORMA			
BGM		BEGINNING OF MESSAGE	M	1	M	1			
C00		DOCUMENT/MESSAGE NAME	C		M				
	1001	Document/message name, coded	C	an..3	M	an..3		963	963=Error response (Customs)
	1131	Code list qualifier	C	an..3	X				
	3055	Code list responsible agency, coded	C	an..3	X				
	1000	Document/message name	C	an..35	M	an..7	1	*CCMSG	Output information code [*CCMSG] = Common message
C10		DOCUMENT/MESSAGE	C		X				
	1004	Document/message number	C	an..35	X				
	1056	Version	C	an..9	X				
	1060	Revision number	C	an..6	X				
1225		MESSAGE FUNCTION, CODED	C	an..3	M	an1		9	9=Original
4343		RESPONSE TYPE, CODED	C	an..3	X				

BGM+963:::*CCMSG++9'

FTX:FREE TEXT

TAG	COMP	NAME	UN/EDIFACT		NACCS		Item No.	Field name/Setting Value	Special Notes
			S	FORMAT	S	FORMA			
FTX		FREE TEXT	C	9	M	1			
4451		TEXT SUBJECT QUALIFIER	M	an..3	M	an..3		NHI	[NHI] = NACCS header
4453		TEXT FUNCTION, CODED	C	an..3	X				
C107		TEXT REFERENCE	C		X				
	4441	Free text identification	M	an..17	X				
	1131	Code list qualifier	C	an..3	X				
	3055	Code list responsible agency, coded	C	an..3	X				
C108		TEXT LITERAL	C		M				
	4440	Free text	M	an..70	M	an..8	1	Message control information	Output common fields (See the EDI specification.)
	4440	Free text	C	an..70	C	an..26	1	Message tag	Output common fields (See the EDI specification.)
	4440	Free text	C	an..70	X				
	4440	Free text	C	an..70	X				
	4440	Free text	C	an..70	X				
3453		LANGUAGE, CODED	C	an..3	X				
4447		TEXT FORMATTING, CODED	C	an..3	X				

FTX+NHI+++000ER:1ABC2C20010407092530000001'

		---SEGMENT GROUP 1---	C	9	C	1		
--	--	-----------------------	---	---	---	---	--	--

RFF:REFERENCE

TAG	COMP	NAME	UN/EDIFACT		NACCS		Item No.	Field name/Setting Value	Special Notes
			S	FORMAT	S	FORMA			
RFF		REFERENCE	M		M				
C506		REFERENCE	M		M				
	1153	Reference qualifier	M	an..3	M	an..3		ACW	ACW=Reference number to previous message
	1154	Reference number	C	an..35	M	an..10	1	Input message ID	Output common fields (See the EDI specification.)
	1156	Line number	C	an..6	X				
	4000	Reference version number	C	an..35	X				
	1060	Revision number	C	an..6	X				

RFF+ACW:ZYXWV98765'

		---SEGMENT GROUP 3---	C	99999	M	1		
--	--	-----------------------	---	-------	---	---	--	--

ERC:APPLICATION ERROR INFORMATION

TAG	COMP	NAME	UN/EDIFACT		NACCS		Item No.	Field name/Setting Value	Special Notes
			S	FORMAT	S	FORMA			
ERC		APPLICATION ERROR INFORMATION	M		1	M	1		
C90		APPLICATION ERROR DETAIL	M			M			
	9321	Application error identification	M	an..8		M	an1	1	Used as a dummy
	1131	Code list qualifier	C	an..3		X			
	3055	Code list responsible agency, coded	C	an..3		X			

ERC+1'

		---SEGMENT GROUP 3---	C	99999	M	1		
--	--	-----------------------	---	-------	---	---	--	--

FTX:FREE TEXT

TAG	COMP	NAME	UN/EDIFACT		NACCS		Item No.	Field name/Setting Value	Special Notes
			S	FORMAT	S	FORMA			
FTX		FREE TEXT	C		M				
4451		TEXT SUBJECT QUALIFIER	M	an..3	M	an..3		AAP	AAP=Response(free text)
4453		TEXT FUNCTION, CODED	C	an..3	X				
C107		TEXT REFERENCE	C		X				
	4441	Free text identification	M	an..17	X				
	1131	Code list qualifier	C	an..3	X				
	3055	Code list responsible agency, coded	C	an..3	X				
C108		TEXT LITERAL	C		M				
	4440	Free text	M	an..70	M	an..15	2	Processing result code (Processing result code)	
	4440	Free text	C	an..70	C	an..15	2	(")	
	4440	Free text	C	an..70	C	an..15	2	(")	
	4440	Free text	C	an..70	C	an..15	2	(")	
	4440	Free text	C	an..70	C	an..15	2	(")	
3453		LANGUAGE, CODED	C	an..3	X				
4447		TEXT FORMATTING, CODED	C	an..3	X				

FTX+AAP+++A0004-0000-0000'

UNT:MESSAGE TRAILER

TAG	COMP	NAME	UN/EDIFACT		NACCS		Item No.	Field name/Setting Value	Special Notes
			S	FORMAT	S	FORMA			
UNT		MESSAGE TRAILER	M	1	M	1			
0074		NUMBER OF SEGMENTS IN THE MESSAGE	M	n..6	M	n..6		Number of segments in the message	
0062		MESSAGE REFERENCE NUMBER	M	an..14	M	an..13		Message reference number	

UNT+7+NACCS12345678'

APERAK:SAMPLE MESSAGE

UNH+ABCDE12345678+APERAK:D:98B:UN:NAC10'

BGM+963:::*CCMSG++9'

FTX+NHI+++000ER:1ABC2C20010407092530000001'

RFF+ACW:ZYXWV98765'

ERC+1'

FTX+AAP+++A0004-0000-0000'

UNT+7+NACCS12345678'

(Table 14-2-12)

Listed below are action codes and syntax error codes used in CONTRL messages used by NACCS.

Action codes (Data element 0083)

Code value	Content
4	There is an error in the pertinent level.
7	There is not an error in the pertinent level.

Syntax error codes (Data element 0085)

Code value	Content
13	No segments.
15	Too many repetitions of segments.
16	Too many elements in the segment.
18	Unidentified error.
28	Control reference number error.
29	Control count error.
30	Unmatched hierarchy levels of UNG and UNH.
33	Invalid value exists outside the message or the group.
37	An invalid character, a character of a different attribute, or a character code invalid for the level is used.
39	Too large element length.