

9. Changing Settings Online by Users

9. Changing Settings Online by Users

9.1 Outline of Changing Settings Online by Users

Changing settings online by users is a procedure to set basic information for the user prior to implementing procedures (e.g., "IDA" and "IDC") online. The user can register, change, and delete settings online. Settings that can be changed online by the user depend on the type of business of the user or conditions of output mode and others of the processing result message (output message). Settings are updated in real-time when they are changed online.

Figure 9-1-1 shows the image of changing settings online by users.

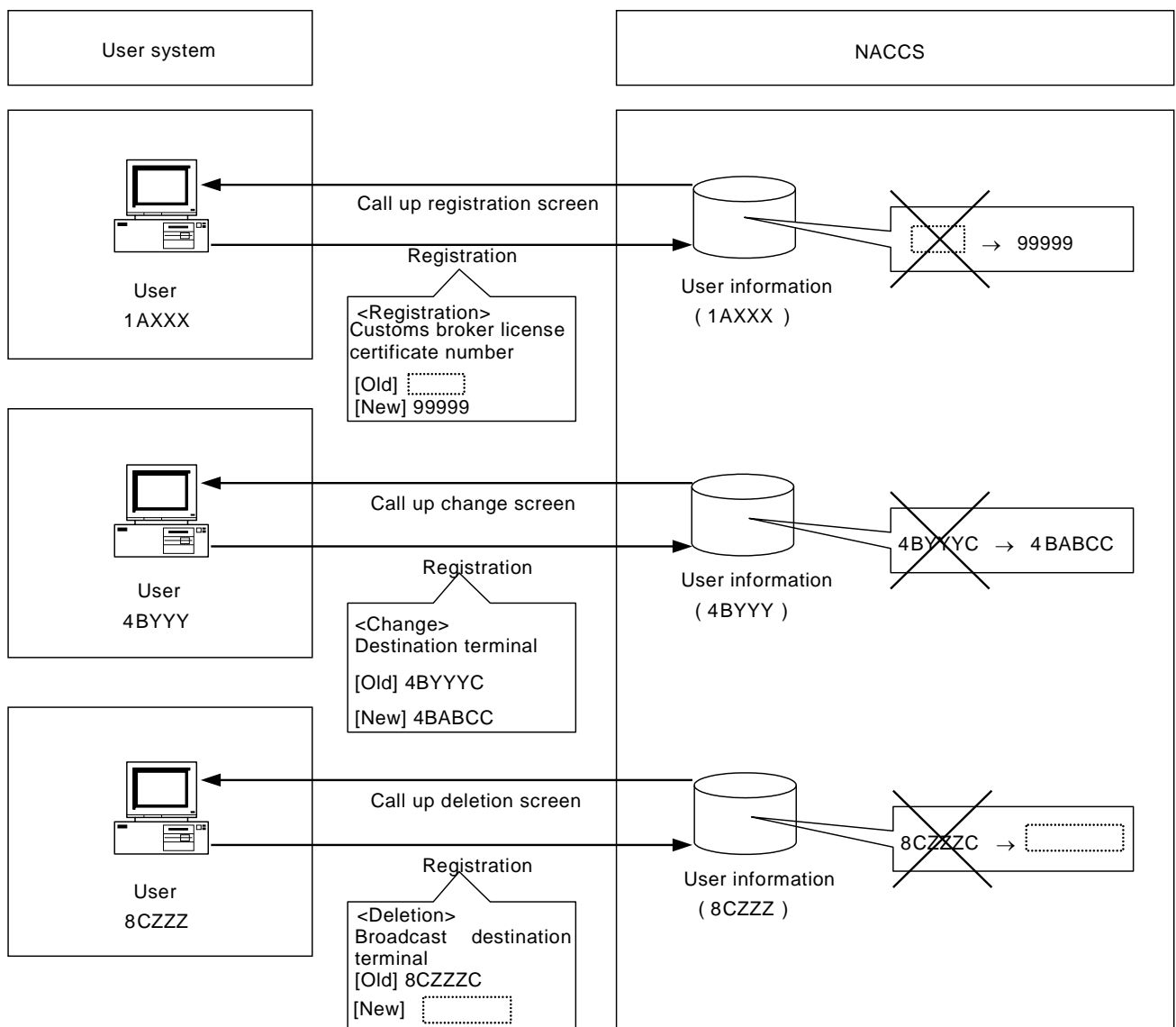


Figure 9-1-1 Image of changing settings online by users